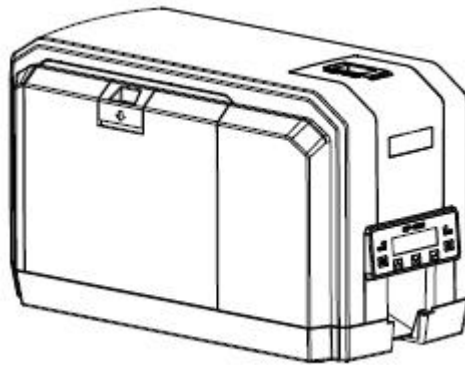




# CP-D80



# User Manual

**Xiamen Hanin Electronic Technology Co., Ltd.**

ADD: 5F, 8#, Aide Airport Industrial Park, Huli District, Xiamen, China

WEB: [www.idprt.com](http://www.idprt.com)

Rev.1.0



# CONTENT

Important Safety Instructions .....	1
Chapter 1 Introduction .....	4
1.1 Packing List .....	4
1.2 Appearance and Components .....	5
1.3 Dimension .....	6
Chapter 2 Installation & Usage .....	7
2.1 Media Loading .....	7
2.1.1 Loading the Ribbon .....	7
2.1.2 Loading the Duplex Print Module .....	9
2.2 Power Connection .....	10
2.3 Operation Panel .....	11
2.3.1 Panel Introduction .....	11
2.3.2 Error Information Table .....	14
2.3.3 Printing Test .....	17
Chapter 3 Maintenance & Adjustment .....	18
Chapter 4 Windows Driver Usage Instructions .....	19
4.1 Driver instructions .....	19
4.2 Installation Preparation .....	20
4.3 Usage .....	23
4.3.1 Printing Preferences .....	23
4.3.2 Printer Properties .....	28
4.4 Removing .....	32
Chapter 5 Windows Driver Instruction .....	34

5.1 Connect the printer to PC driver (USB) .....	34
5.2 Connect the printer to PC driver (Ethernet).....	40

## ■ Statement

This manual content may be altered without permission, and our company reserves the rights to make changes without notice in technology, spare parts, hardware and software of the products. If more information is needed about the products, please contact our company. Without any written permission from our company, any section of this manual is prohibited to be copied or transferred in any form.

## ■ Copyright

This manual is printed in 2021, the copyright belongs to Xiamen Hanin Electronic Technology Co., Ltd.

Printed in China

1.0 Version

## ■ Warnings



This must be complied with in order to avoid any damage to the human body and the equipment.



This is showing the important information and tips for the printer operation.



**Note: Due to continuous update of our product, the description of printer specification, accessories, design in this manual may be slightly different. Please keep in kind prevail.**

# Important Safety Instructions

Before using the appliance, please carefully read the following safety regulations in order to prevent any hazard or material damage.

## 1. Safety warning



Warnings: The print head will become very hot during printing; avoid contact with the print head after printing has finished.



Warnings: Do not touch the printer head and connector in case static damage the printer head.

## 2. Instructions



**Warnings: Violating following instructions can cause serious injury or death.**

- 1) Do not plug several products in one multiperture outlet.
  - This can provoke over-heating and a fire.
  - If the plug is wet or dirty, dry or wipe it before usage.
  - If the plug does not fit perfectly with the outlet, do not plug in.
  - Be sure to use only standardized multiperture outlet.
- 2) You must use the supplied adapter.
  - It is dangerous to use other adapters.
- 3) Do not pull the cable to unplug.
  - This can damage the cable, which is the origin of a fire or a breakdown of the printer.
- 4) Do not plug in or unplug with your wet hands.
  - You can be electrocuted.
- 5) Do not bend the cable by force or leave it under any heavy object.
  - A damaged cable can cause a fire.



**Note: Violating following instructions may cause slight damage of the appliance.**

- 1) If you observe a strange smoke, odour or noise from the printer, unplug it before taking following measures.
    - Switch off the printer and unplug the set from the mains.
    - After the disappearance of the smoke, call your dealer to repair it.
  - 2) Install the printer on the stable surface.
    - If the printer falls, it can be broken and you can hurt yourself.
  - 3) Use the approved accessories only and do not try to disassemble, repair or remodel it by yourself.
    - Call your dealer when you need these services.
    - Do not touch the blade of auto cutter.
  - 4) Do not let water or other foreign objects drop into the printer.
    - If this happened, switch off and unplug the printer before calling your dealer.
  - 5) Do not use the printer when it is out of order. This can cause a fire or an electrocution.
    - Switch off and unplug the printer before calling your dealer.
  - 6) Other considerations:
    - Place the printer on a solid and even base so that it cannot fall.
    - Leave enough space around printer for operation and maintenance.
    - Keep all liquids away from the printer.
    - Do not expose the printer to high temperatures, direct sunlight or dust.
    - Ensure the printer is connected to a socket with the correct mains voltage.
    - Switch off the printer POWER supply when it's not in use for a long time.
    - To ensure the printing quality and reliability, suggest use the same quality or recommend paper supplier.
    - Pls. switch off the POWER supply when connect/disconnect all the ports or it will cause damage to the printer control circuit.
    - Never carry out maintenance or repair work yourself. Always contact a qualified service Technician.
    - Keep this User Manual in a place which is always easily accessible.
-

### 3. Other Precautions

The copyright for this user manual and various other manuals is property of our company. Any copying or conversion into electronic form and saving of this material without the express written permission is strictly prohibited. Use of the information contained in this manual is not subject to any patent liability. This manual has been prepared with utmost care and attention to detail but may contain certain errors and/or omissions. Our company is not legally liable for any damages resulting from the use of the information in this manual. Our company and its affiliates are not legally liable (United States excluded) for any damages, loss, costs, and/or expenses that result from the breakdown, malfunction, and/or misuse of the product due to violation or neglect of the operation and maintenance information and instructions provided by our company, as well as from the unauthorized alteration, repair, and/or modification of the product by the user and/or third party. We are not legally liable for any damages and/or issues resulting from the use of options and/or parts that are not authentic or authorized products.

### 4. WEEE (Waste Electrical and Electric Equipment)



This mark shown on the product or its literature indicates that the corresponding item should not be discarded at the end of its working life with other household waste. To prevent possible harm to the environment or human health from uncontrolled waste disposal, please separate marked items from other types of waste and recycle them responsibly to promote the sustained reuse of material resources. Household users should contact either the retailer where they purchased this product, or their local government office for details of where and how they can conduct environmentally safe recycling of such items. Commercial users should contact their suppliers and check the terms and conditions of purchase contracts. This product should not be combined with other commercial waste for disposal.



**Caution: This is a Class A product. In a domestic environment this product may cause radio interference in which the user may be required to take adequate measures.**



# Chapter 1 Introduction

## 1.1 Packing List

1. Unpack the printer and keep the packing material in case you need to ship the printer in the future.
2. Any damages exist, please contact the local dealer.

### ■ Standard



Printer



AC Adapter



Power Cord



Quick Start Guide



USB Cable



Ribbon



Ribbon Rewind Spindle

### ■ Optional



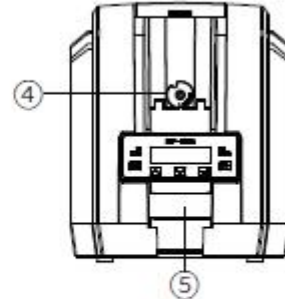
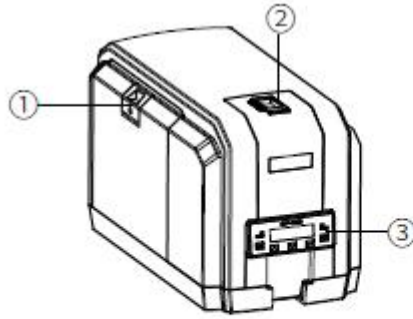
Duplex Print Module



**Note:** The packing materials are based on the order.

## 1.2 Appearance and Components

### ■ Front View



① Latch Button

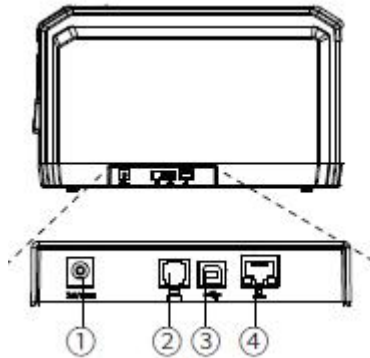
③ Navigation Key

⑤ Card Output

② Buckle (Lock or unlock)

④ Card Limit Controller

### ■ Side View



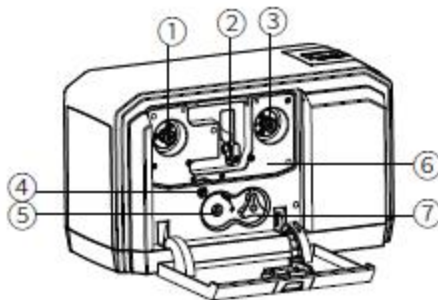
① Adapter Port

② Serial Port (Extension communications only)

③ USB Port

④ Ethernet Port

### ■ Rear View



① Ribbon Supply Spindle

② Ribbon Latch Lever

③ Ribbon Rewind Spindle

④ Card Position Adjustment

⑤ Print Head Adjustment (Up and down)

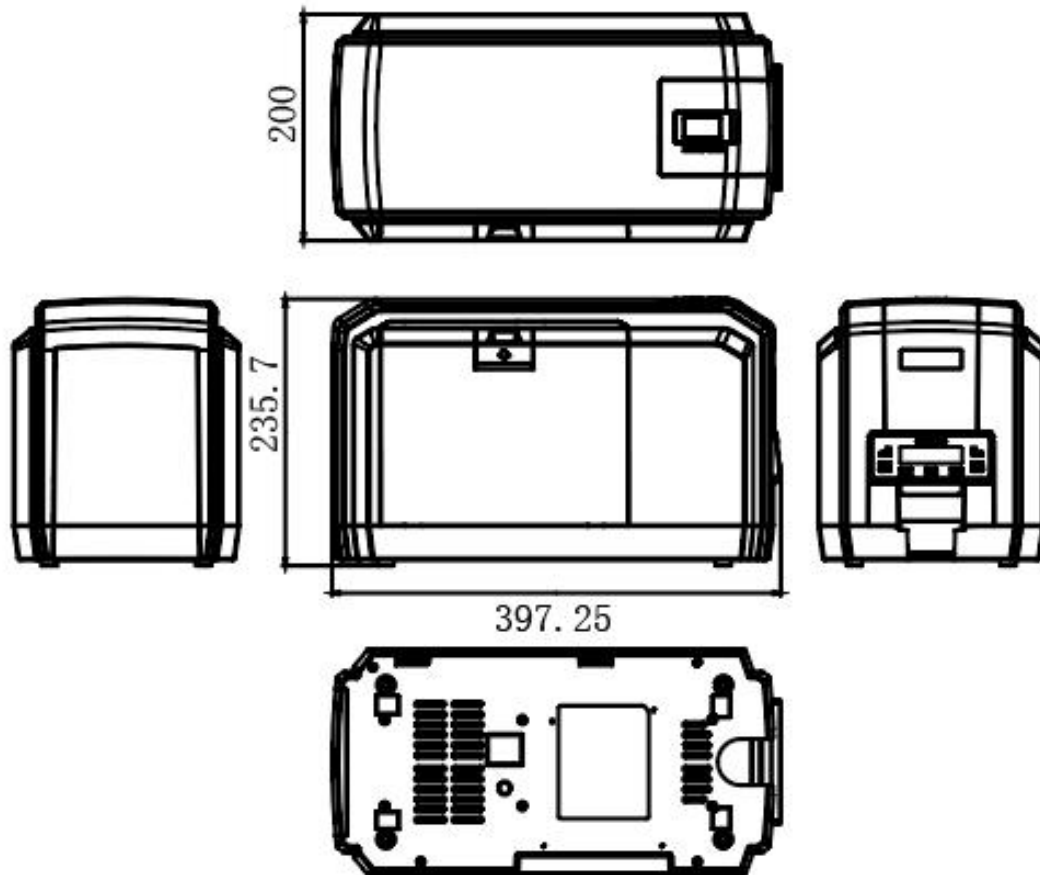
⑥ Ribbon Bracket Group

⑦ Troubleshooting Handle



**Note:** The views above are for your reference. Ports vary by your choice.

### 1.3 Dimension



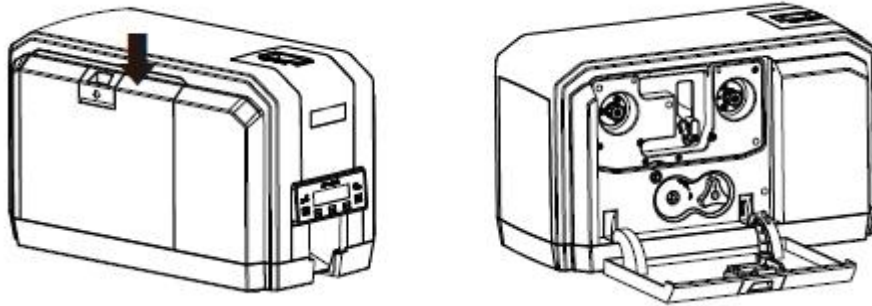
Unit: mm

## Chapter 2 Installation & Usage

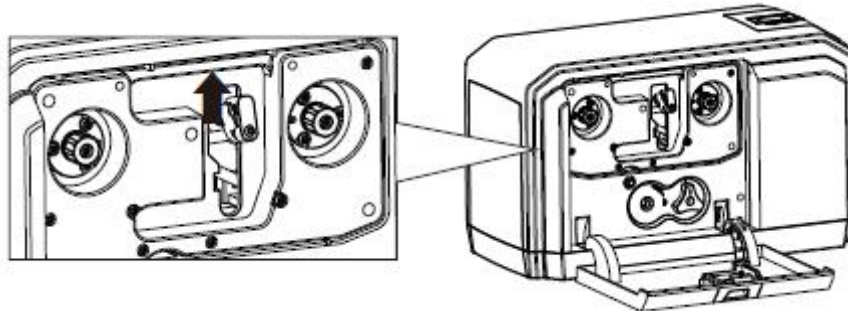
### 2.1 Media Loading

#### 2.1.1 Loading the Ribbon

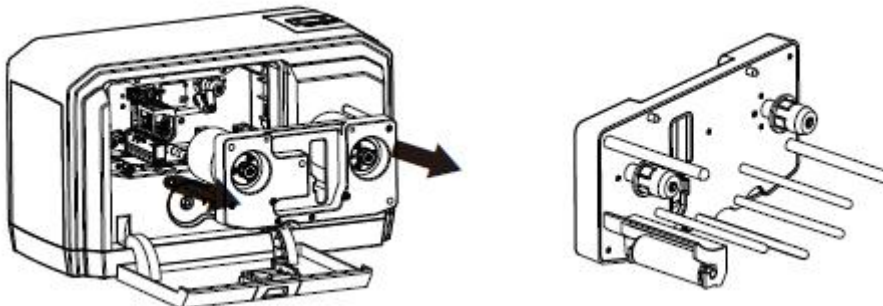
1. Place the printer on a table and press the latch button manually to open the ribbon cover.



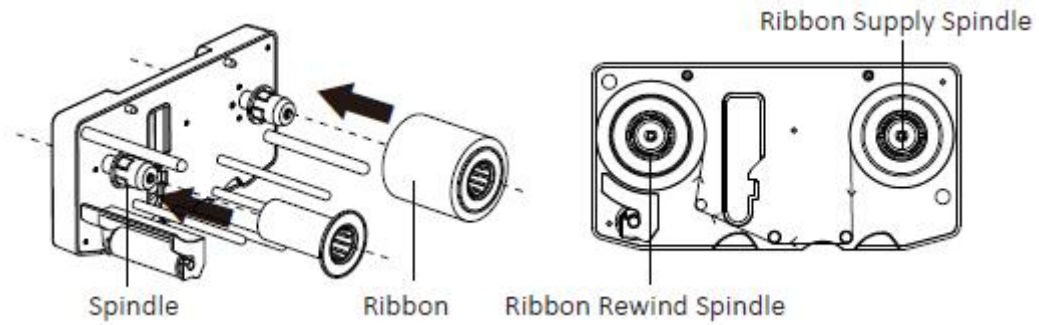
2. After opening the ribbon cover, lift the ribbon latch lever to release the ribbon bracket group.



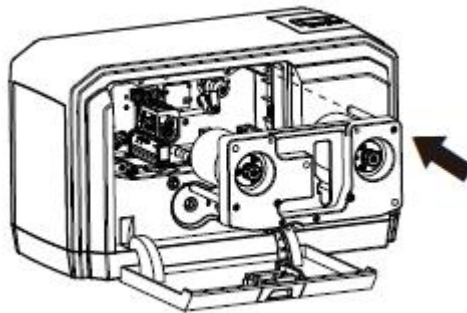
3. Manually remove the ribbon bracket group.



4. Align the ribbon with the ribbon spindle, stick the front edge of the ribbon on the ribbon rewind spindle. And rotate the ribbon rewind spindle anticlockwise according to the direction shown in the figure.

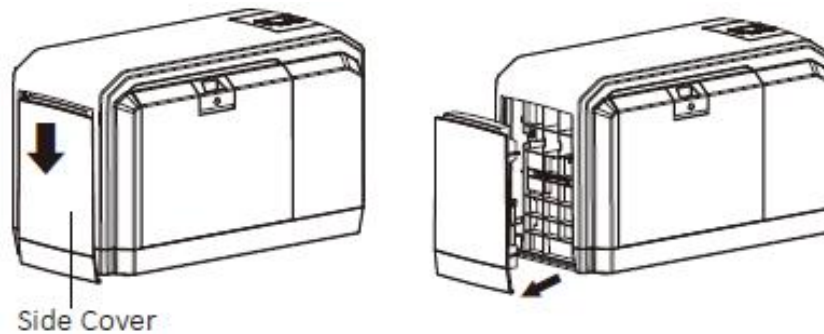


5. After the ribbon is installed, assemble the ribbon bracket group back to printer, and then press down the ribbon latch lever to lock the ribbon bracket group.

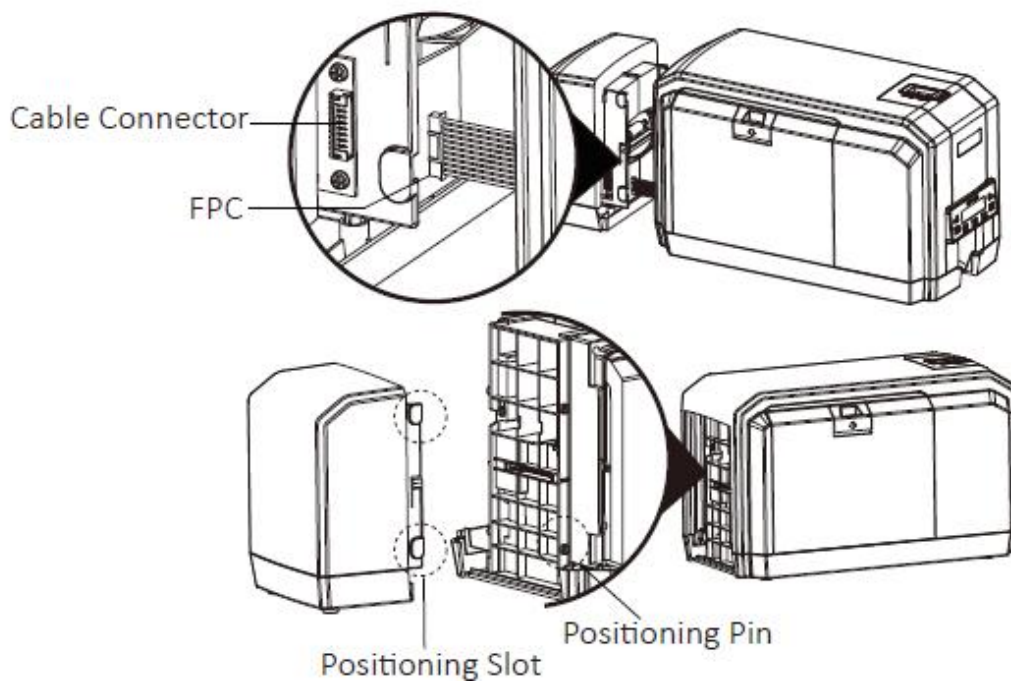


## 2.1.2 Loading the Duplex Print Module

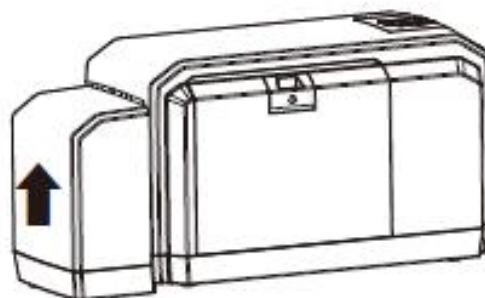
1. Press the side cover by hand and push it down to remove it.



2. Insert the FPC into the cable connector, and then insert the positioning slot into the positioning pin. (Please unplug the AC adapter before installing)

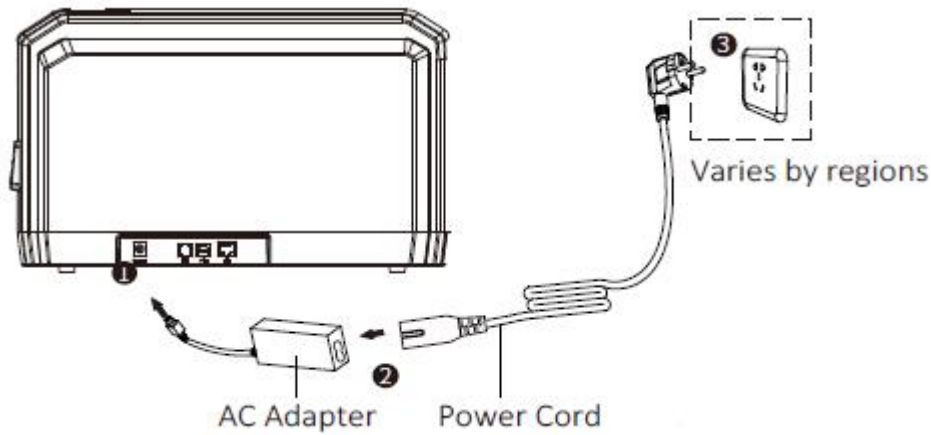


3. After inserting the module, push the module from the bottom to top.



## 2.2 Power Connection

1. Connect the AC adapter to power receptacle.
2. Connect the power cord to AC adapter.
3. Connect the other end of power cord to the outlet.

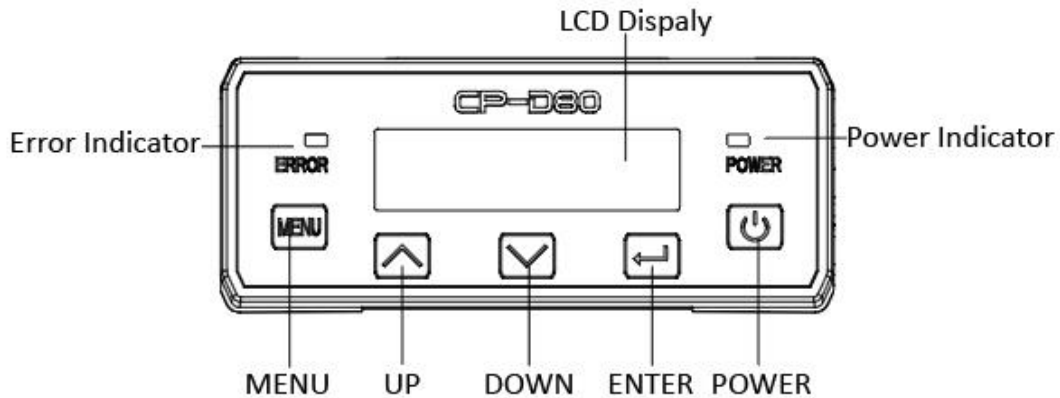


### Caution:

1. Use the original power adapter only. Avoid the damage caused by charging improperly.
2. Please unplug the printer power cord if it is not in use for a long time.

## 2.3 Operation Panel

### 2.3.1 Panel Introduction



#### (1) Power button:

Use the POWER button to power off and power on the printer.

To power off the printer, press the button for 1 to 2 seconds until the printer begins to shut down. To power off the printer while it is processing cards, press and hold the button for 2s or more, then the printing task can be stopped.

#### (2) Up/Down/OK button:

Use the arrow buttons to move through the printer menu system, and the ENTER button to make a selection.

#### (3) Menu button:

In the ready state, press the button to enter the menu interface;

At any level of the menu interface, press it to return to the previous level.

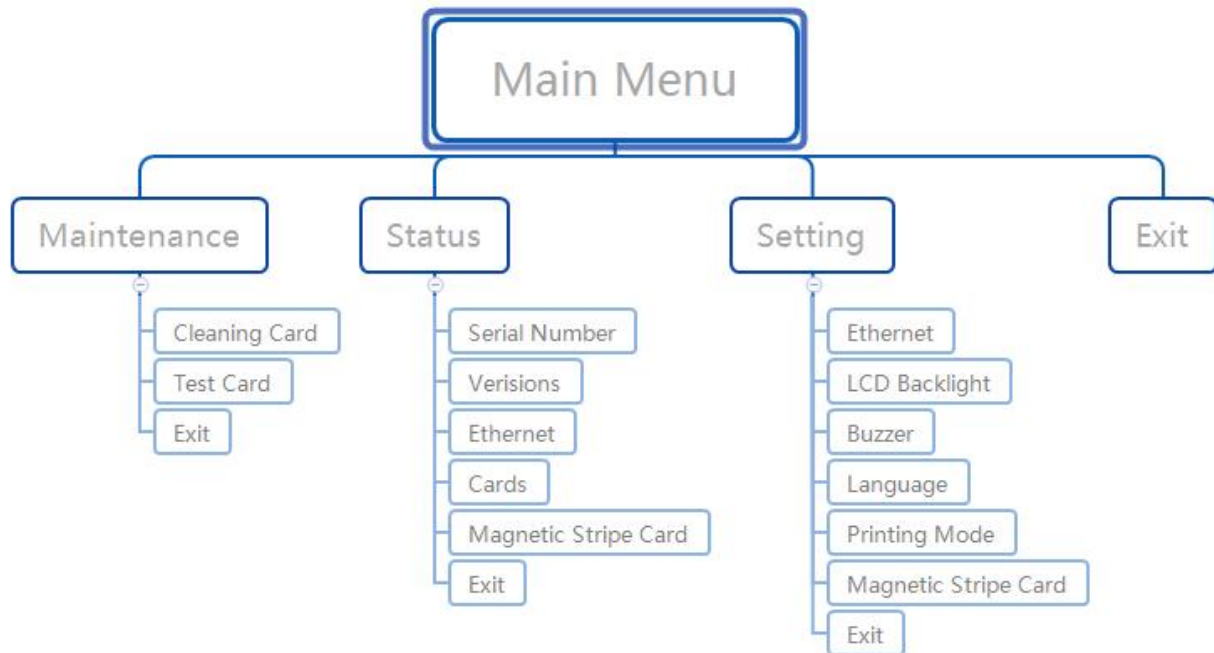


**Note:** When using the arrow buttons to view the printer IP address, only the IPv4 address is displayed.



#### (4) Main Menu:

The LCD panel displays the menu system of the printer and displays the information of the printer. When the printer is in the ready state, the LCD will display the model of the printer.



The menu system has four main parts:

- Use the maintenance menu to run the cleaning card and print the test card.
- Use the status menu to view the settings and data about the printer.
- Use the setting menu to change the configuration.

**Note:**

When "ready" is displayed on line 1 of the LCD panel, you can access the menu system.

- The printer returns ready after 30 seconds of inactivity, and unapplied changes are lost.
- To keep the selection without changing the value, press the up or down button until the display exits, and then press OK.

**2.Indicator description:**

Color	Indicator	Description
Yellow	Always light on	Normally, it is always yellow and bright
Red	Always light on	Printer error



**Note:** please refer to the *Troubleshooting* for error information and related solutions.

### 2.3.2 Troubleshooting

No.	Problem	Description	Solution
1	Close and lock doors	Print head is not closed	Close the cover
2	Request not supported	Task request not supported	Press and hold the MENU button
3	Job could not complete	Receive the data timeout	Press and hold the MENU button
4	Card not in position	The card is stuck in the process	Press and hold the MENU button
5	Printer error	The printer be found in error	Press and hold the MENU button
6	Magstripe data error	Data verification error of magnetic stripe card	Press and hold the MENU button
7	Magstripe data not found	The magnetic stripe card could be found	Press and hold the MENU button
8	Magstripe read data error	Error reading magnetic stripe card	Press and hold the MENU button
9	Magstripe read no data	The data of magnetic stripe card can not be read	Press and hold the MENU button
10	Print ribbon problem	Ribbon breakage or ribbon wrong specification	Check the ribbon, press and hold the MENU button
11	Print ribbon out or missing	Print ribbon out or missing	Replace a new ribbon, press and hold the MENU button
12	Card hopper empty	Card hopper empty	Place the card

No.	Error	Description	Method
13	Close cover to continue	Continue after closing the cover	Close the cover
14	Cover opened during job	Cover opened during job	Close the cover
15	Magstripe not available	Magstripe not available	Press and hold the MENU button
16	Reader not available	No contactless smart card module detected	Press and hold the MENU button
17	Print ribbon not supported	Authentication error in refresh length of ribbon RFID authentication	Replace a new ribbon, press and hold the MENU button
18	User paused the printer	User paused the printer	
19	Print ribbon not identified	Authentication error in ribbon	Replace a new ribbon, press and hold the MENU button
20	Magstripe format problem	Data format error in magnetic stripe	Press and hold the MENU button
21	Print ribbon will run out	The ribbon will run out	Press and hold the MENU button
22	Print ribbon winding	The ribbon sticks to the card or the platen	Check the ribbon box, press and hold the MENU button
23	Card not picked	Card not picked	Check the card hopper, press and hold the MENU button

No.	Error	Description	Method
24	Card coming out failed	When the printing is finished or abnormal, the card does not exit to the exit slot	Check the track, press and hold the MENU button
25	TPH over temperature	The temperature of the print head exceeds the rated temperature during printing	When the temperature drops to a certain value, it will close automatically
26	Power voltage error	Abnormal printer voltage	Automatic shutdown after voltage recovery
27	Print mode mismatch	The data mode issued by PC does not match the current mode of printer	Press and hold the MENU button
28	Dual-sided module not found	There are no accessories to support duplex printing	Press and hold the MENU button

### 2.3.3 Printing Test

The printer contains a test card that does not use drivers or other card data sources to verify that the printer is working properly.

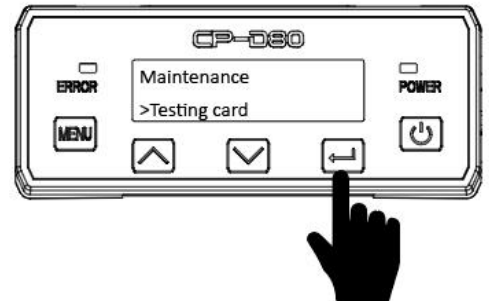
- 1) The printer is ready and the status light is yellow.
- 2) Press the "MENU" button to display the "menu" on the first line of LCD panel.
- 3) Press ENTER to enter the menu system.



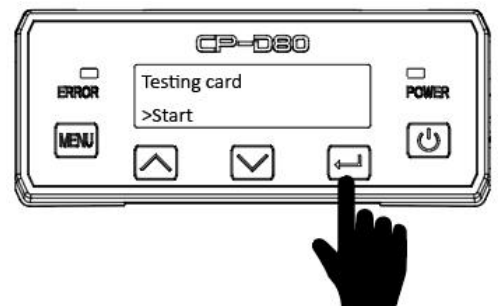
- 4) Press ENTER to enter the maintenance.



- 5) When "Testing card" is displayed on line 2, press and hold the ENTER button and wait for the line 2 displays "start".



- 6) Press and hold the ENTER button to print the testing card. When printing is complete, the printer returns to "ready".



**Note:** The above steps are for reference only, and the actual operation is based on the printer display.

## Chapter 3 Maintenance & Adjustment

Dust, foreign matter, sticky substance stick to the print head or the contaminants in the printer can reduce print quality. Clean the print head in the following way when it is dirty.

### 1. Clean the print head when:

- Replace the print head.
- Unprinted lines on the card usually indicate dirt or contamination on the print head.
- If the print head is touched accidentally, the oil on the hand will affect the print quality and damage the print head.

### 2. Clean the print head:

- Turn off the printer power.
- If necessary, unlock the printer and open the printer laminator access door.
- Lift the ribbon latch lever to release the ribbon bracket group, then take out the inner box of ribbon.
- Take out the cleaning swab from the package.
- Gently move the cleaning swab back and forth along the edge of the print head until it is completely clean.
- Replace the ribbon box. When installing the ribbon in the print function area, avoid hitting the print head
- Close the printer cover to ensure that the two cases are locked.
- Turn on the printer power.

### 3. Clean the track with the cleaning card:

- Close the ribbon latch lever.
- Place the cleaning card in the slot.
- Start the cleaning card on the "menu".



#### **Warning:**

- Avoid touching the edge of the print head with your fingers. The pollution caused by oil will damage the print head.
  - Avoid using any sharp object that may permanently damage the print head to close to the print edge of the ribbon box.
  - Only use the cleaning swab to clean the print head. Other materials may stick to the print head and cause damage.
  - Use the cleaning swab only once and discard after cleaning the print head.
-

# Chapter 4 Windows Driver Usage Instructions

## 4.1 Driver instructions

The following operating systems are supported:

- Microsoft Windows 10 (32 bit/64 bit)
- Microsoft Windows 8 (32 bit/64 bit)
- Microsoft Windows 7 SP1 (32 bit/64 bit)
- Microsoft Windows Vista SP2 (32 bit/64 bit)
- Microsoft Windows XP Professional SP3 (32 bit)
- Microsoft Windows Server 2012(64 bit)
- Microsoft Windows Server 2008 R2
- Microsoft Windows Server 2008 SP2(32 bit/64 bit)
- Microsoft Windows Server 2003 R2 SP2(32 bit/64 bit)



## 4.2 Installation Preparation



Note:

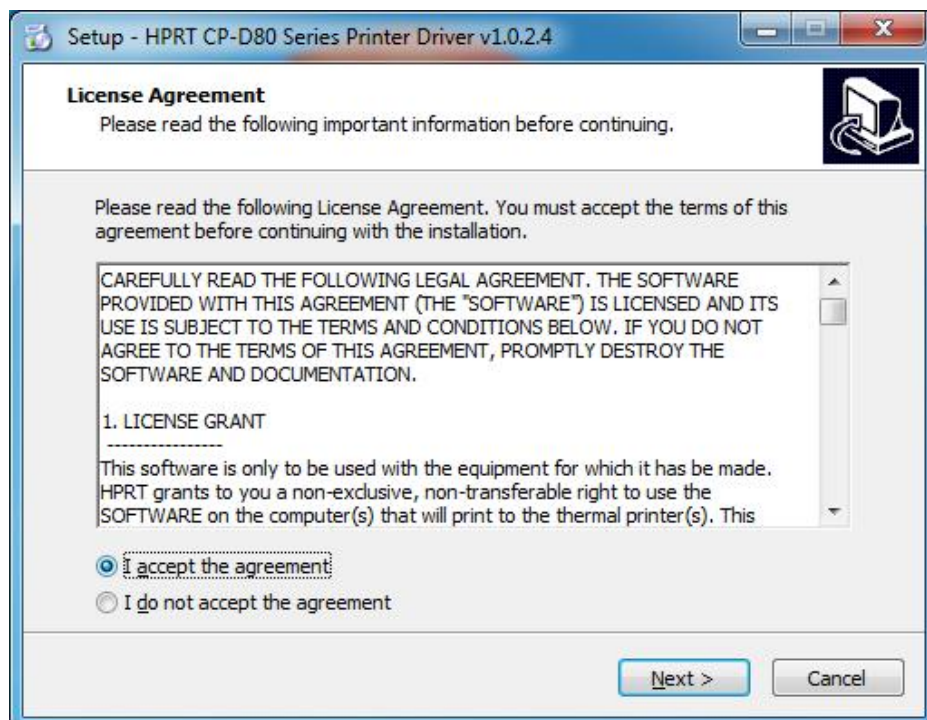
- Under different operating systems, the screen may be slightly different. Take Windows 7 as example.

- To avoid the prevention, recommend to close the security software before installation.

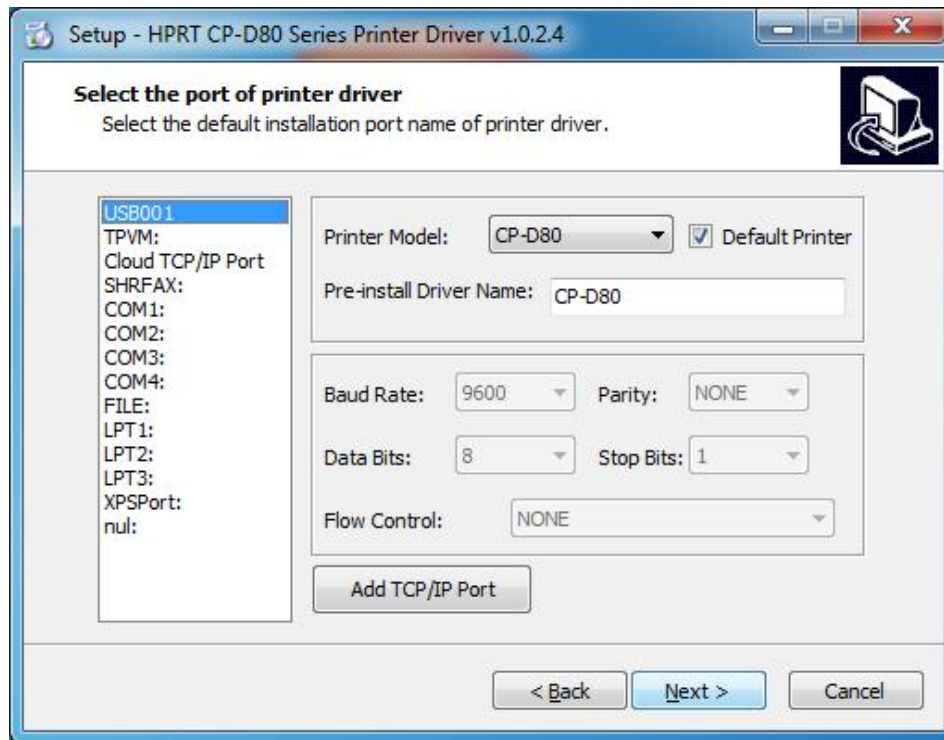
1. Select one interface to connect your printer to computer.
2. Turn on the printer and check if it is connected to computer successfully.
3. Double click Windows Driver.
4. Choose the language, click "OK".



5. Read and agree the license agreement. Then click "Next".

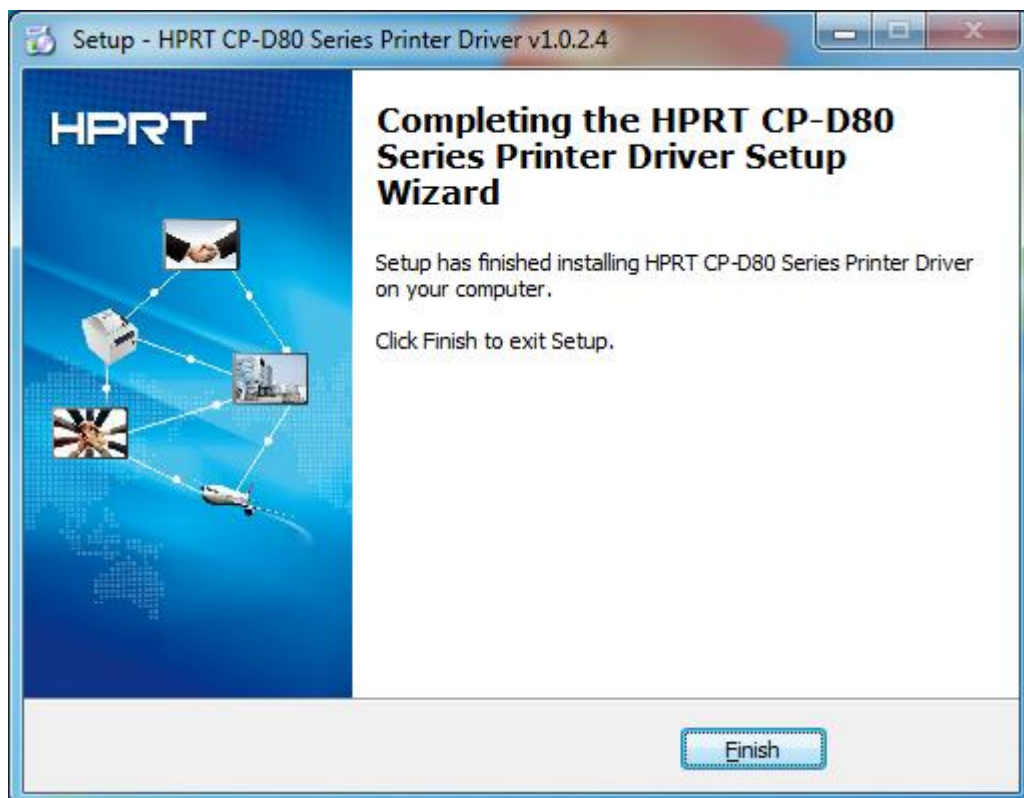


6. Choose the printer model, then click "Next".

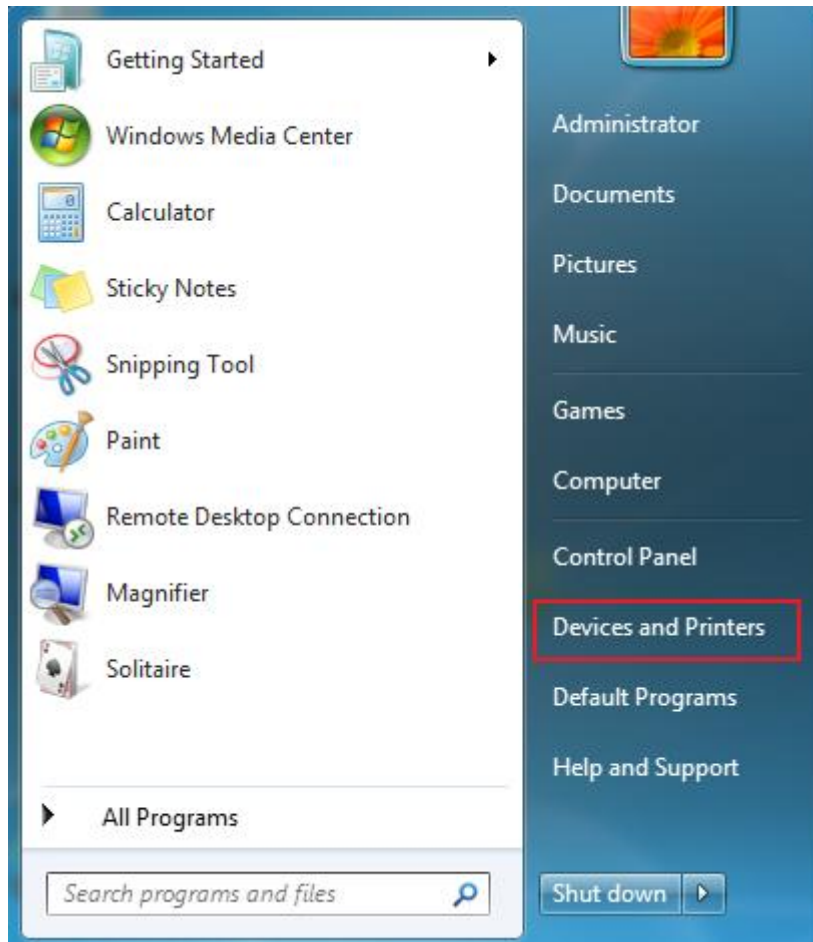


**Note:** If you have already installed the driver (No matter what kind of ports), it will generate a USB port automatically when connecting the printer to computer.

7. Click "Finish".



8. You can see the printer icon in start → devices and printers.

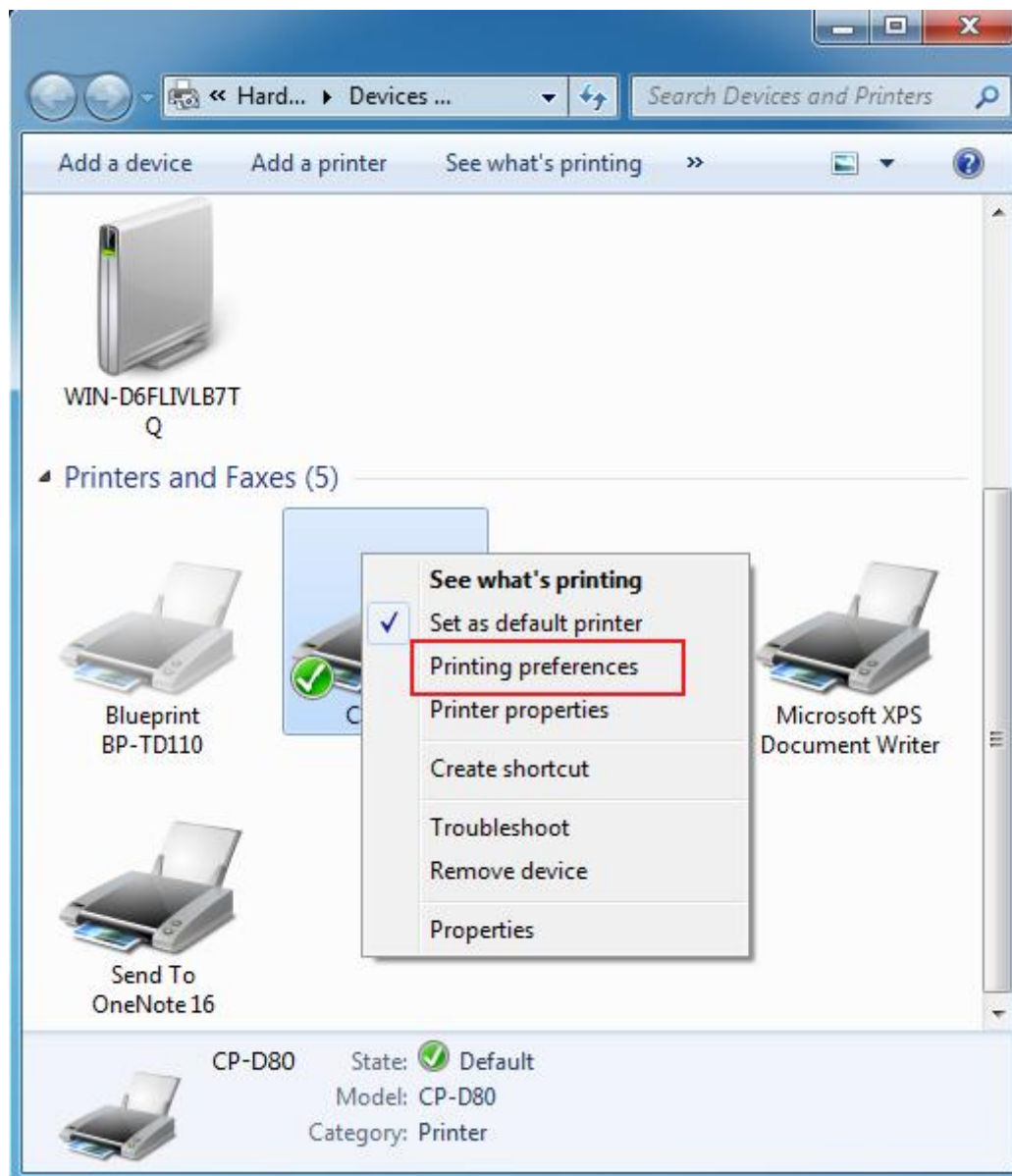


**Note:** If you have already installed the driver (No matter what kind of ports), it will generate a USB port automatically when connecting the printer to computer.

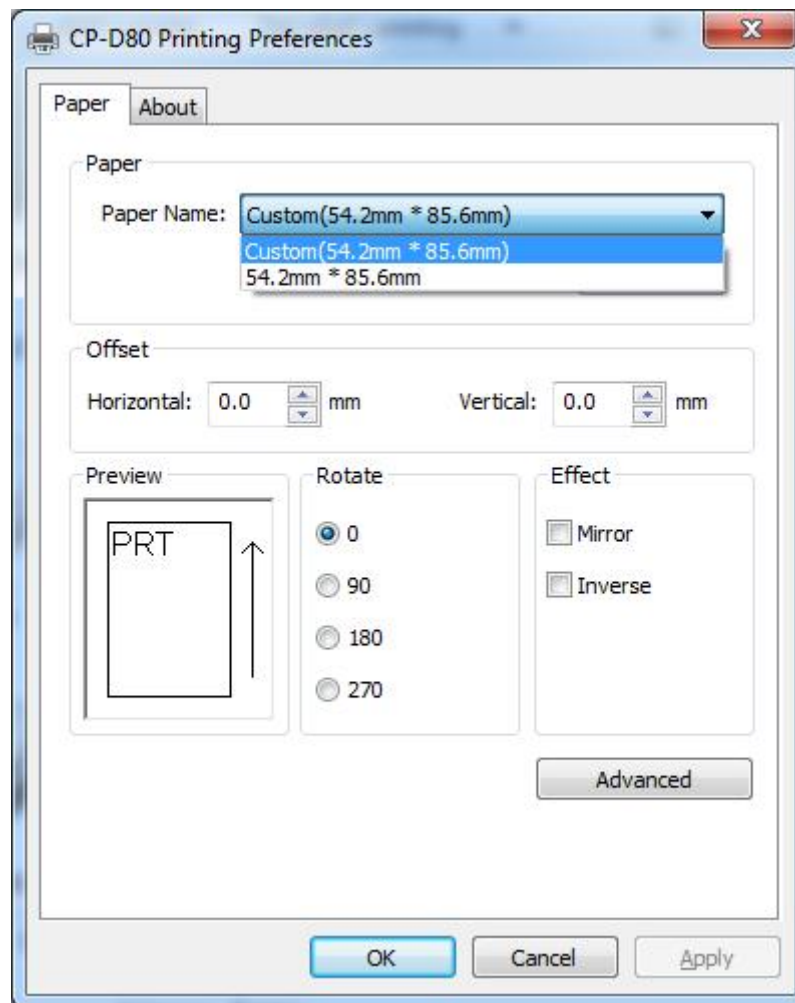
## 4.3 Usage

### 4.3.1 Printing Preferences

1. Click "Start" → "Devices and Printers". Right click icon and choose "Printing preferences".



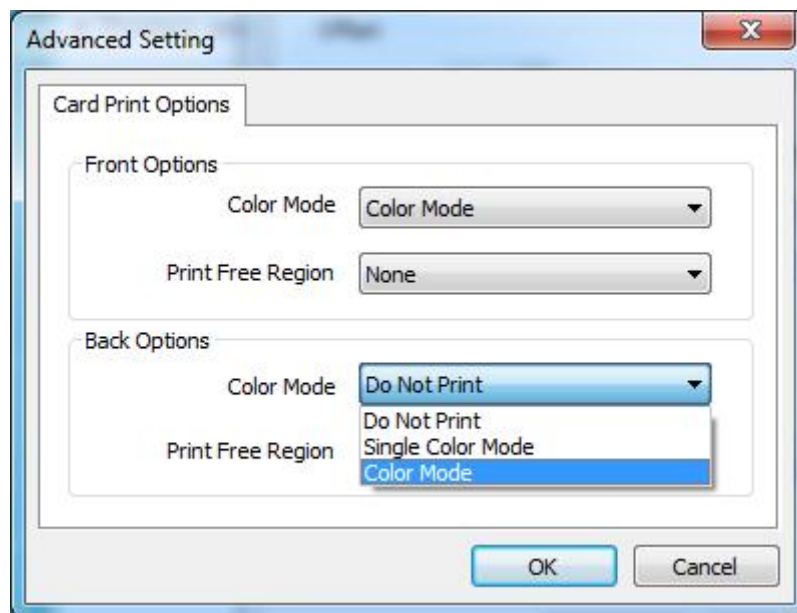
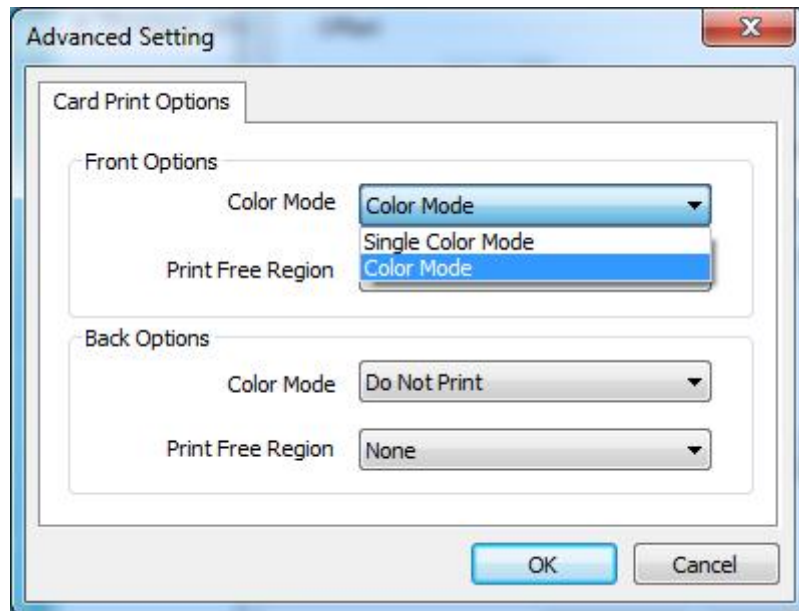
2. According to different needs, set up the page.



3. Click "Advanced".

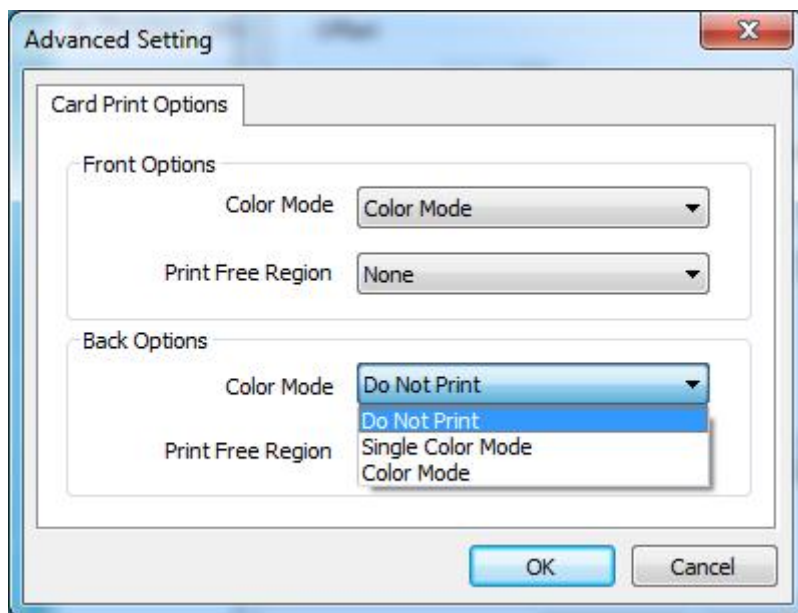
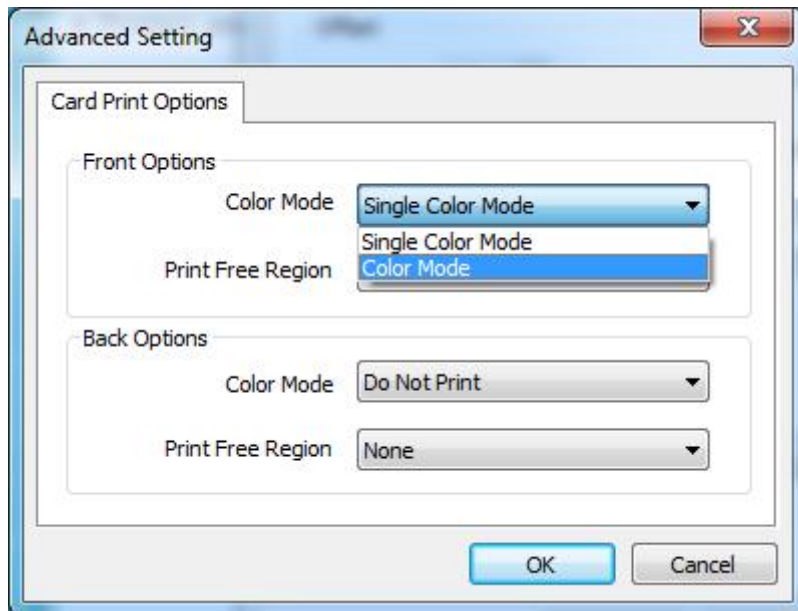
1) Duplex color printing

"Color mode" is selected for both front and back options.



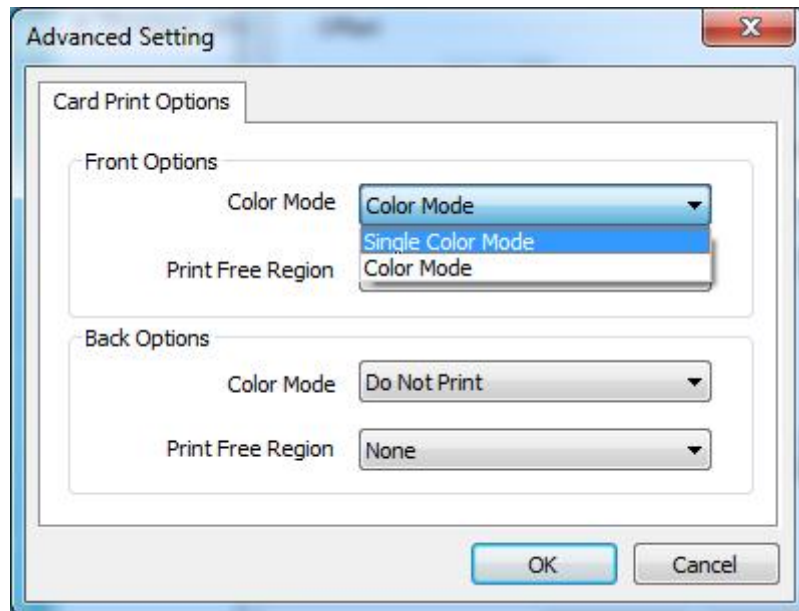
2) Single sided color printing

The color mode of the front option is "Color Mode", and the back option is "Single Color Mode" or "Do Not Print".

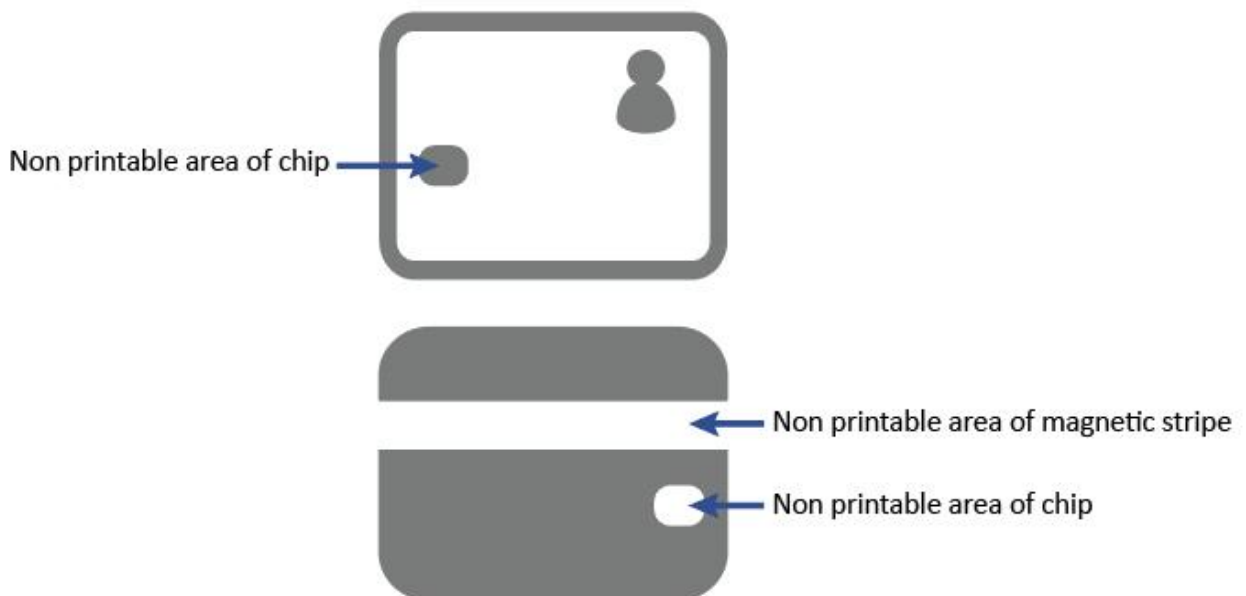


### 3) Single sided monochrome printing

The color mode of the front option is "Single Color Mode", and the back option is "Do Not Print".



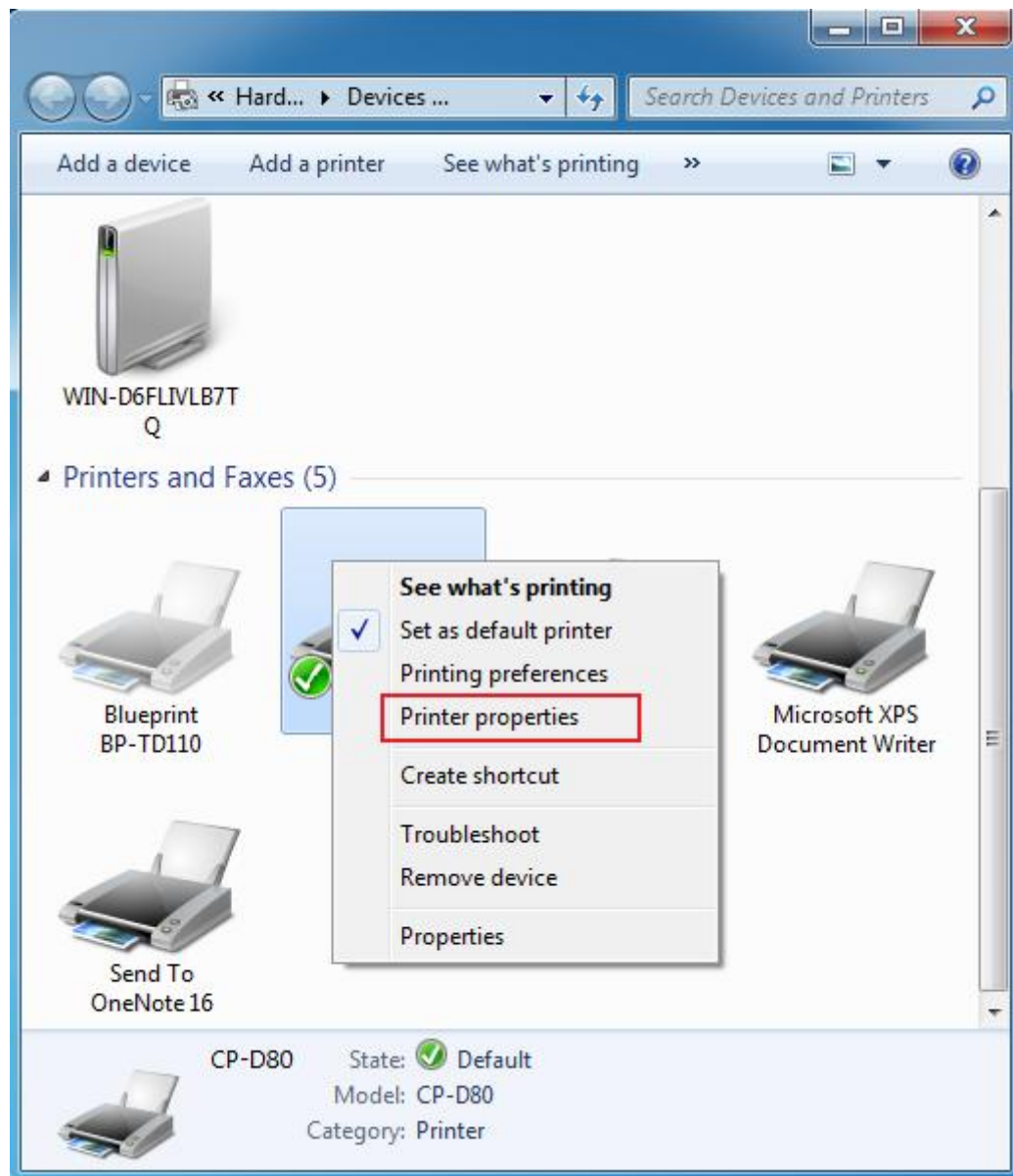
**Note:** the magnetic stripe or chip area on the card is not printed, as shown in the figure.



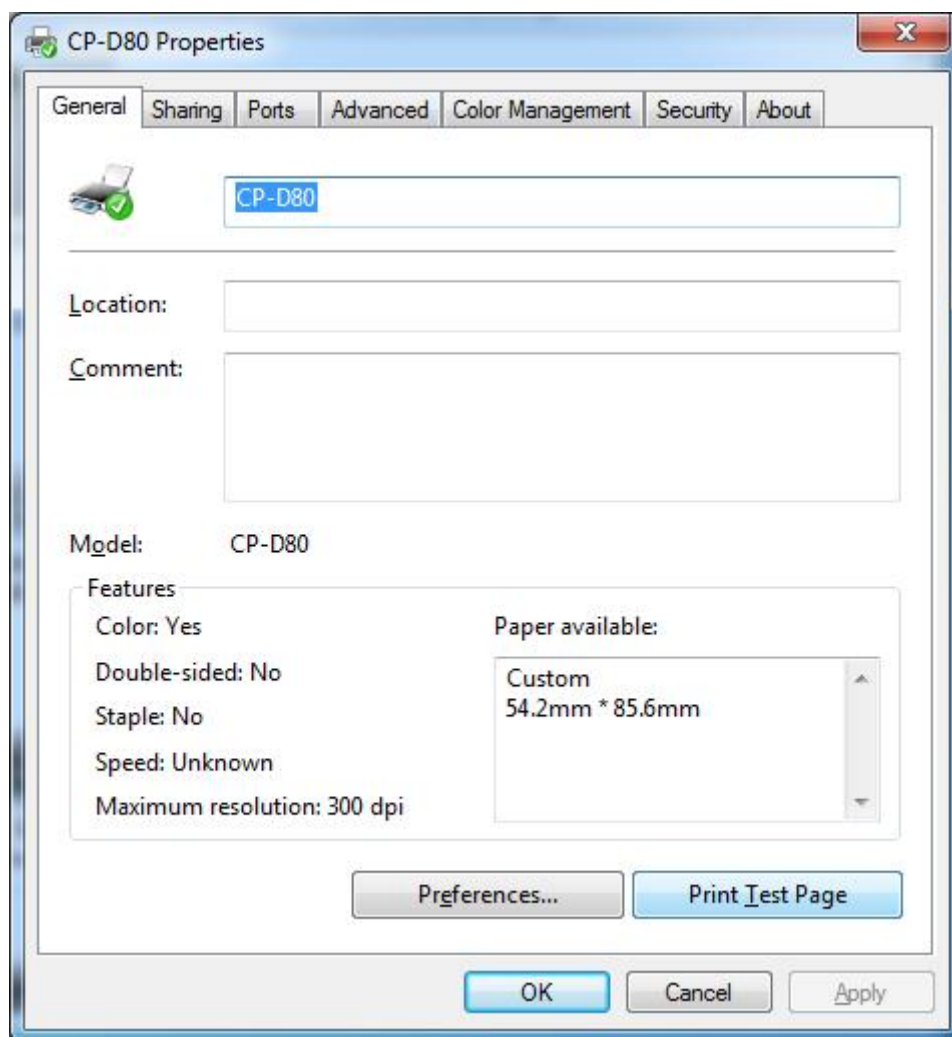


### 4.3.2 Printer Properties

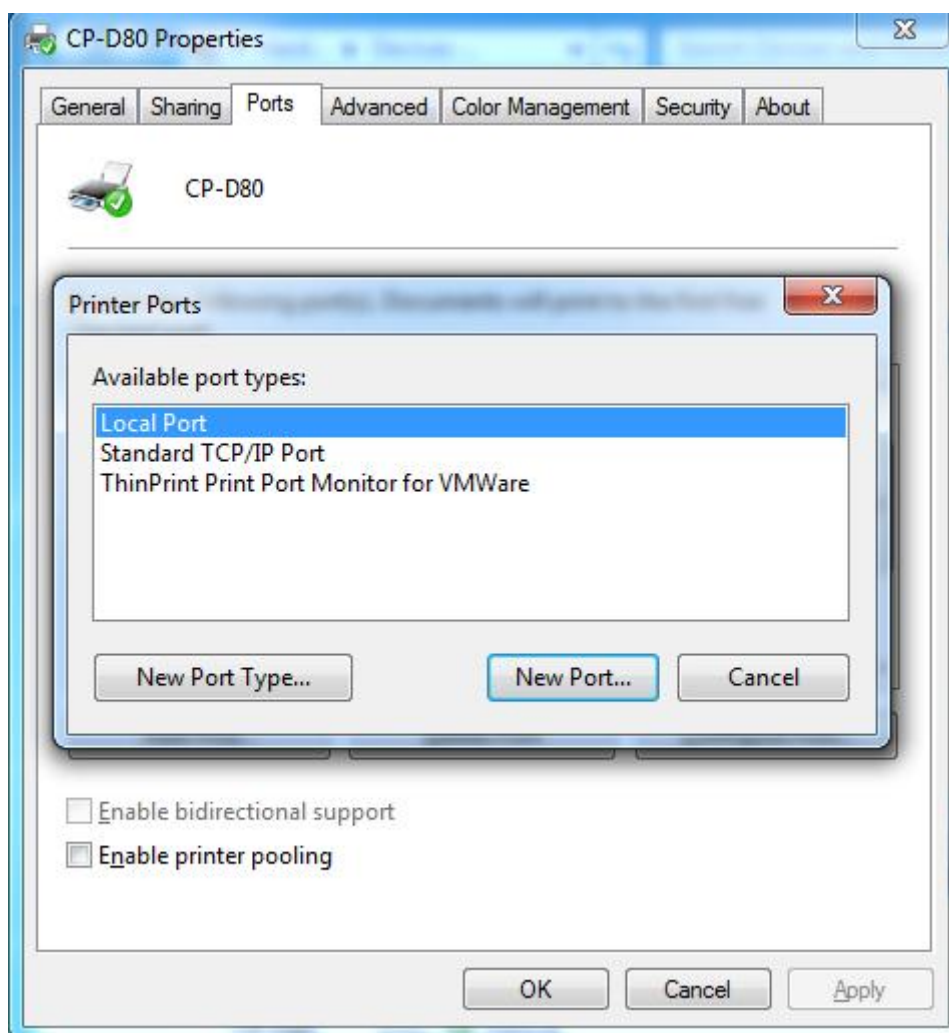
1. Click "Start" → "Devices and Printers". Right click the icon and choose "Printer properties".



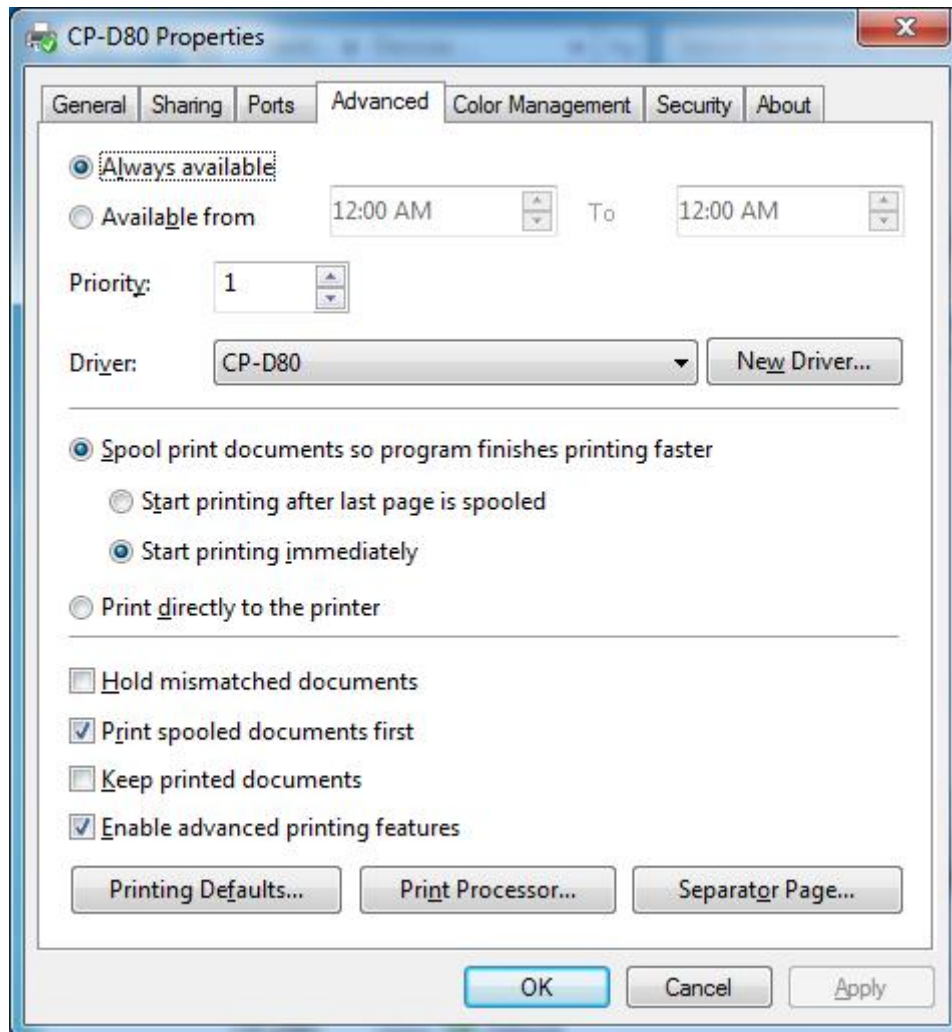
2. Click “General” → “Print Test Page”, and printer will print labels with current settings.



3. Click port to select the type of port you want. (please refer to Chapter 5 Windows Driver Instruction for specific operation)



4. Click “Advanced” to set the available time for printer.

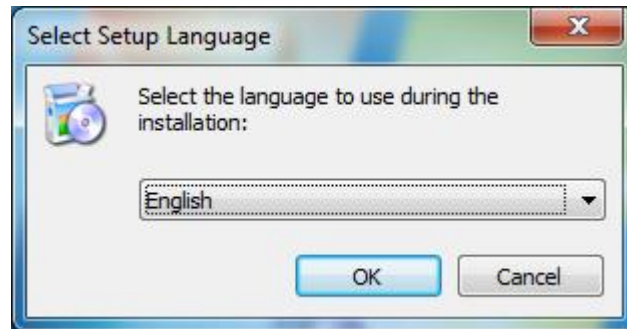


## 4.4 Removing

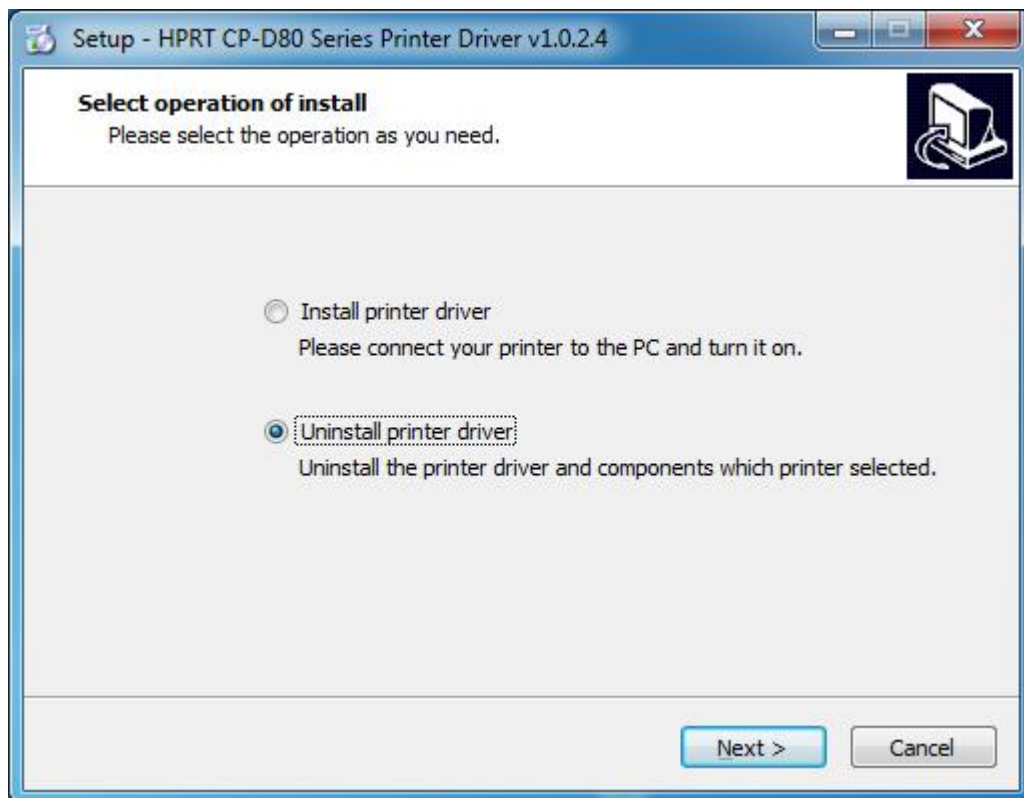


**Note:** Please turn off the printer or unplug the USB cable before removing the driver.

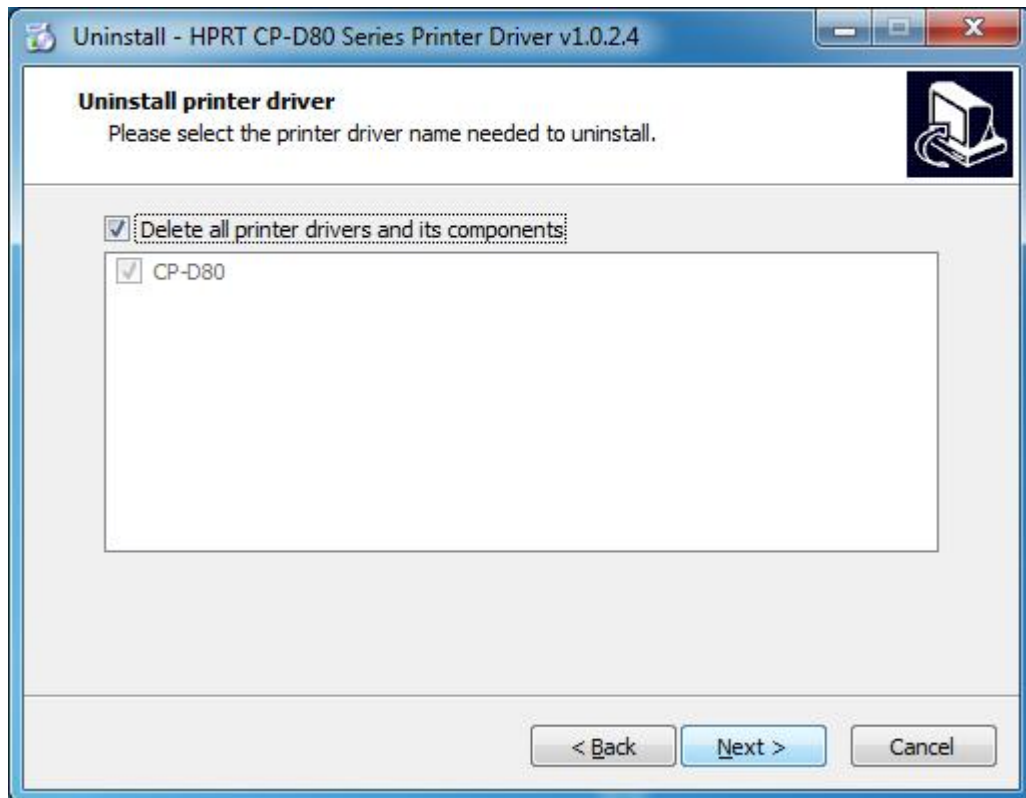
1. Double click Windows Driver.



2. Choose “Uninstall printer driver”, then click “Next”.



3. Choose the printer driver name needed to uninstall, then click “Next”.



## Chapter 5 Windows Driver Instruction

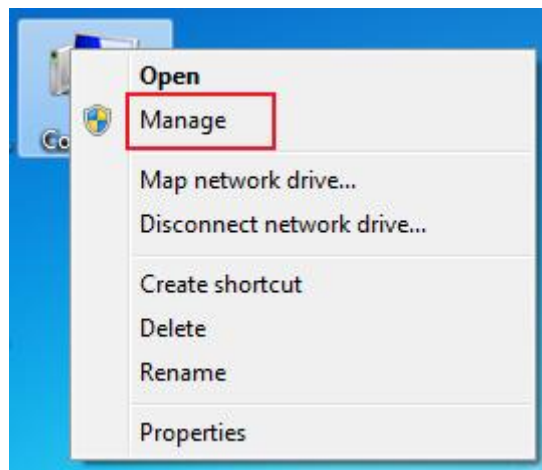
### 5.1 Connect the printer to PC driver (USB)



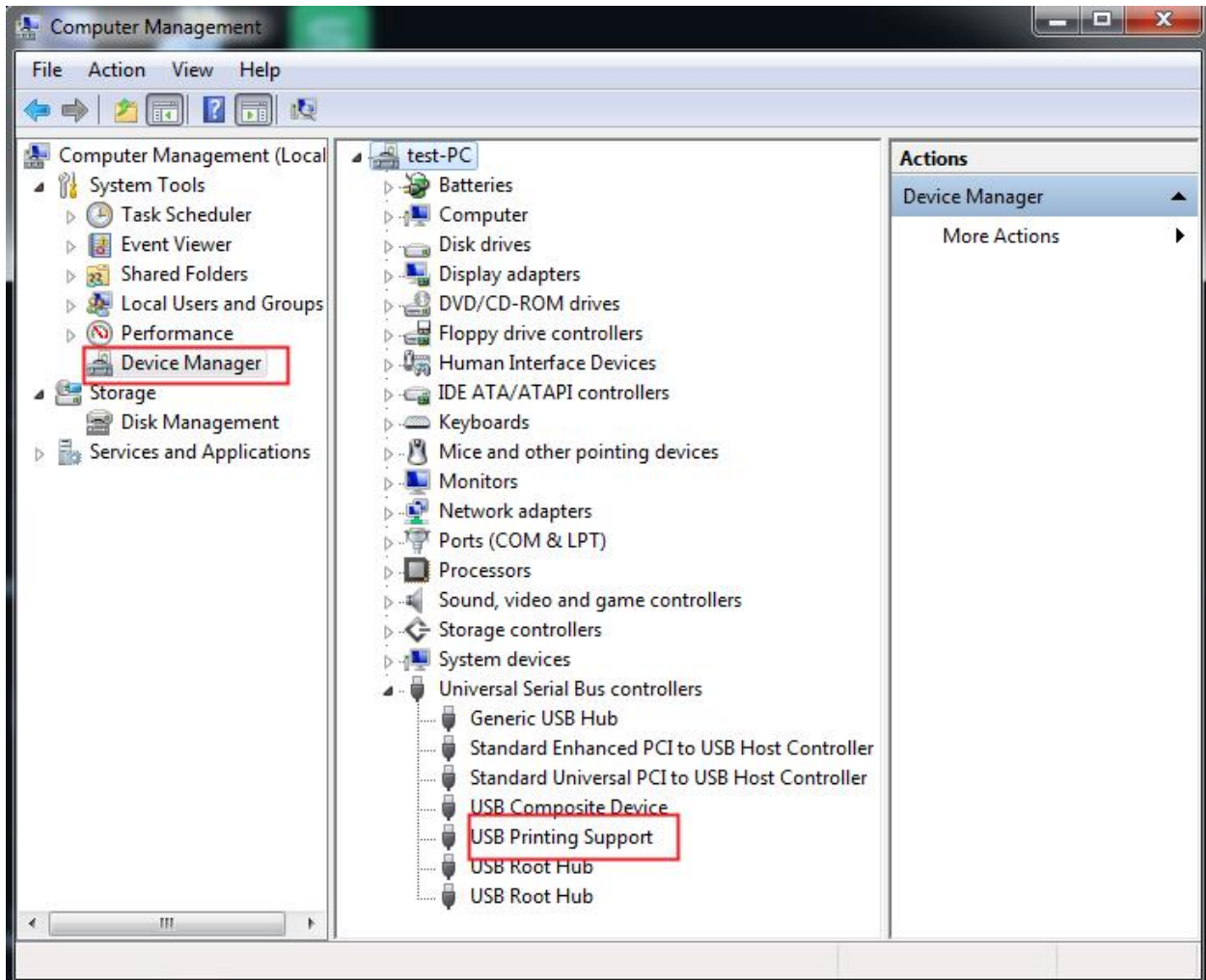
Note:

- Under different operating systems, the screen may be slightly different. Take Windows 7 as example.
- Please make sure that the driver has been installed.
- Note: If you have already installed the driver (No matter what kind of ports), it will generate a USB port automatically when connecting the printer to computer.

1. Right click on the computer desktop and select “Manage”.

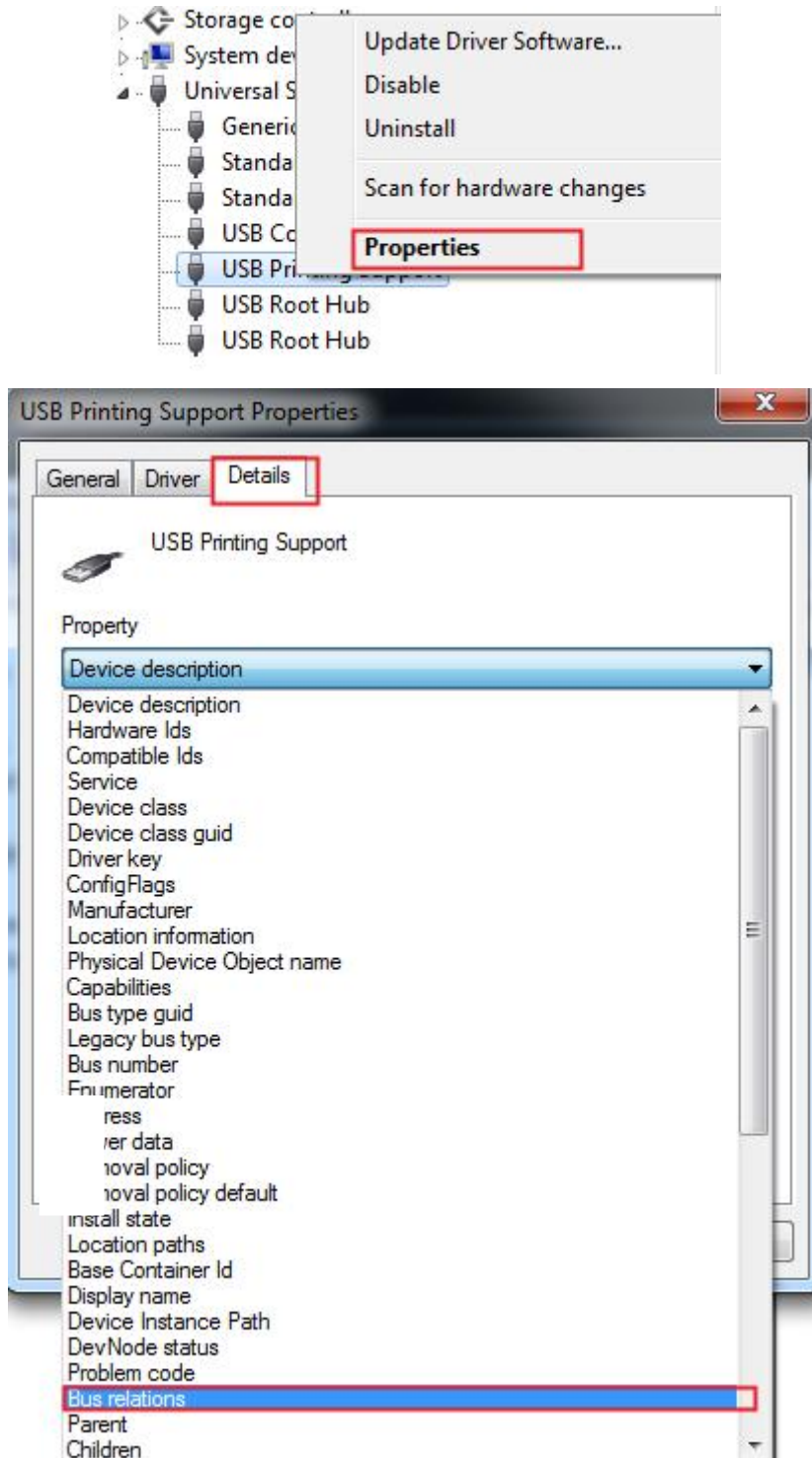


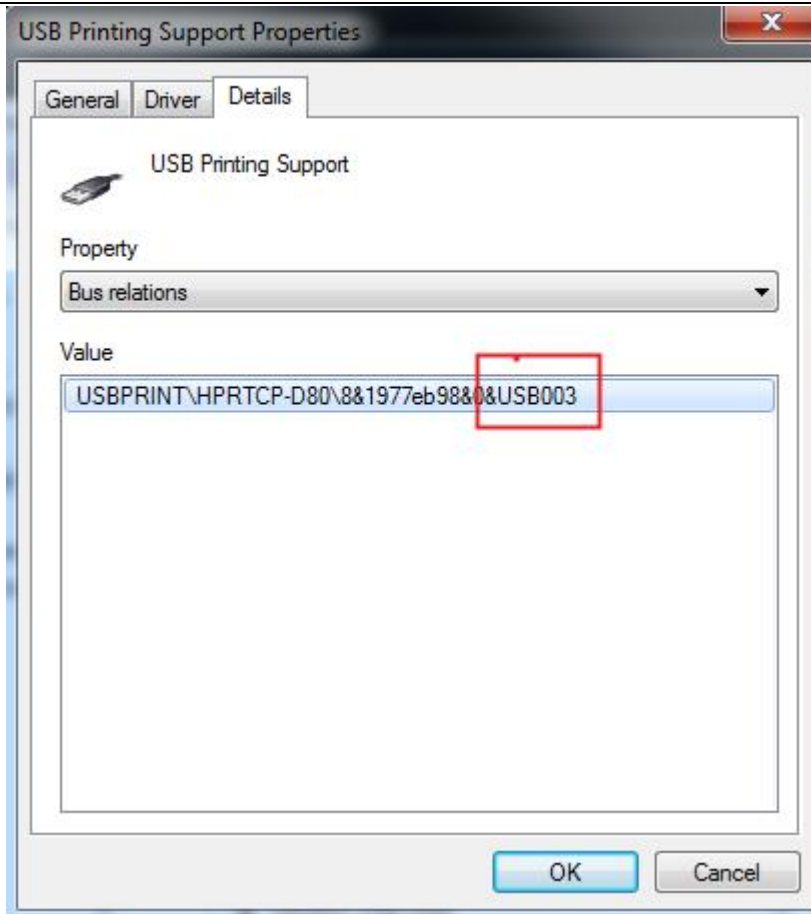
2. Select "device manager" in the window, then find the USB controller and click "USB printing support"



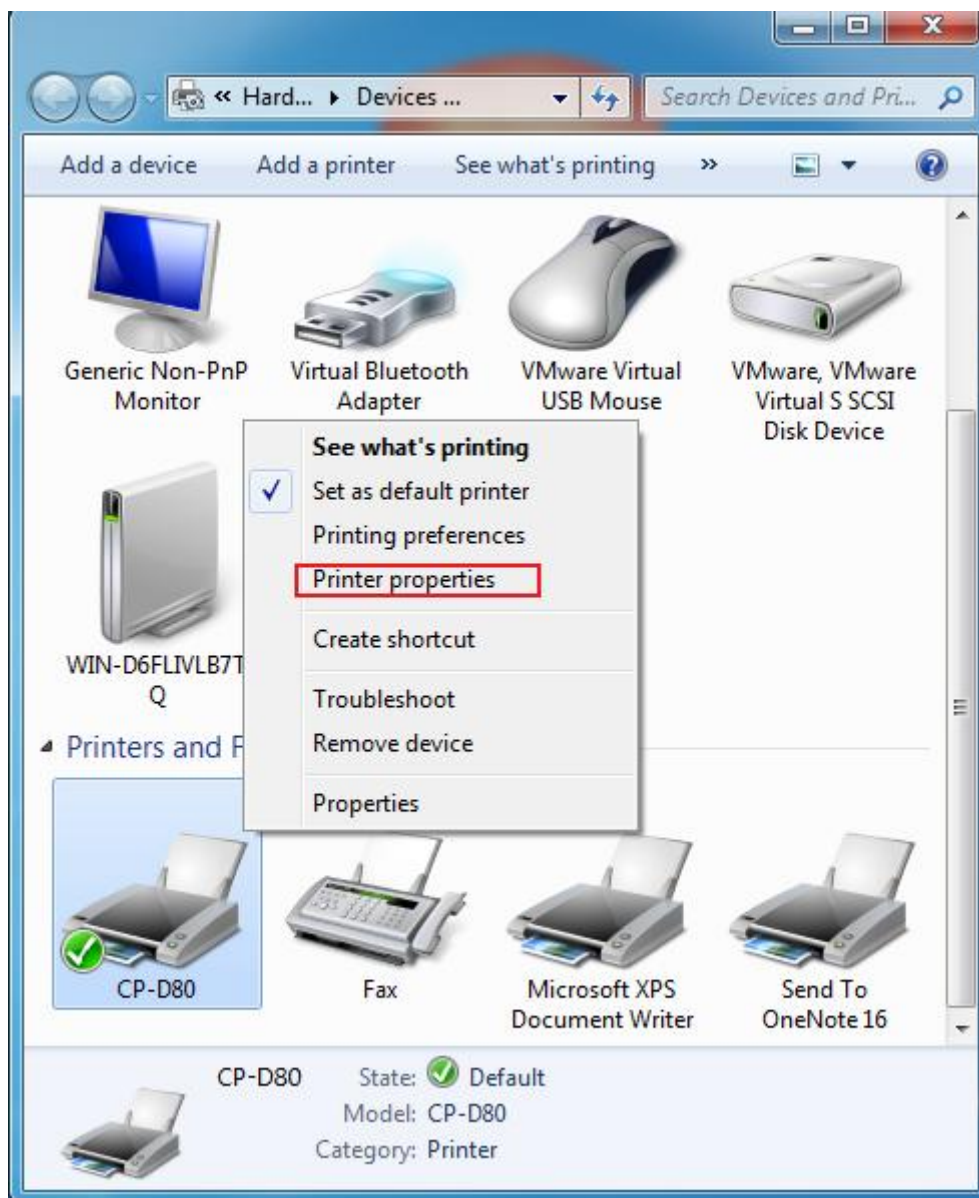


3. Select "USB print support", right-click and select "Properties", - "Details" - "Property" - "Bus relations". After selecting, you can find the USB port number in the value options. For example, the port number is 003 in the figure.

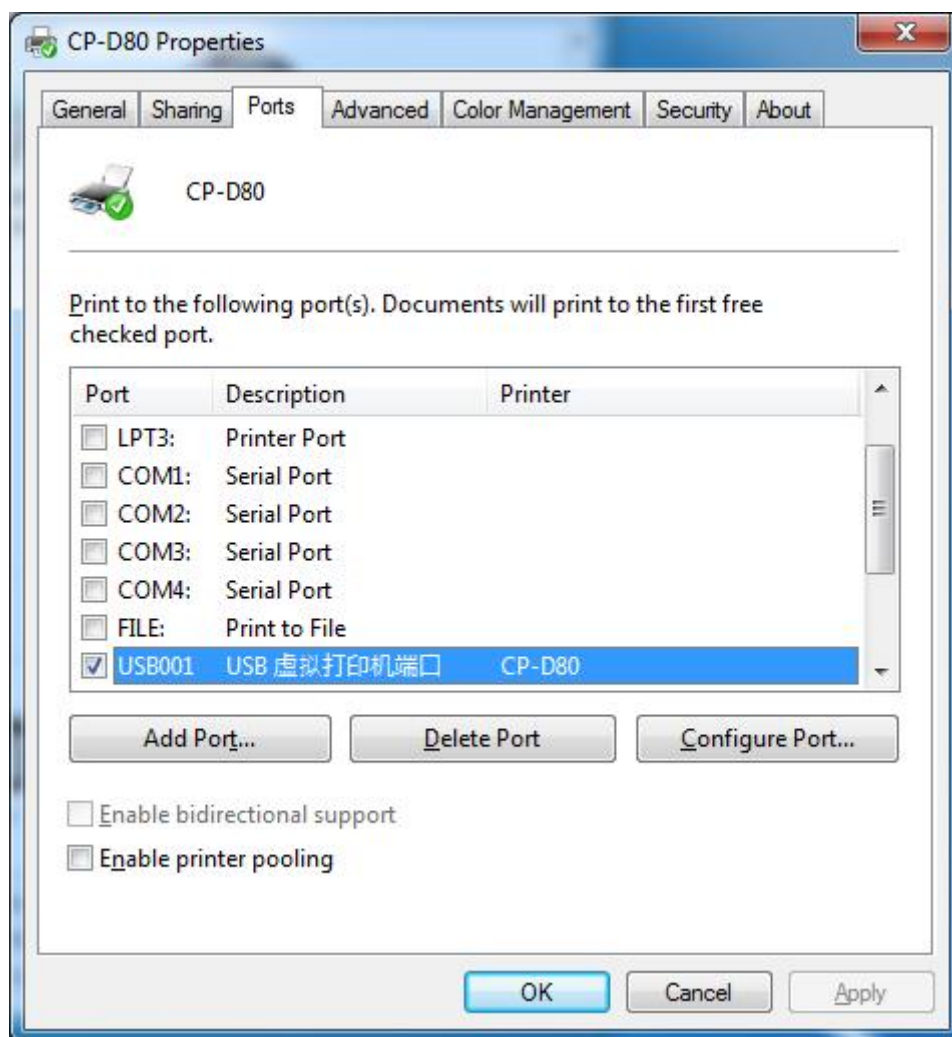




4. Click “Start” → “Devices and Printers”. Right click the icon and choose “Printer properties”.



5. Click "port", find the corresponding USB port number, select and click "apply".

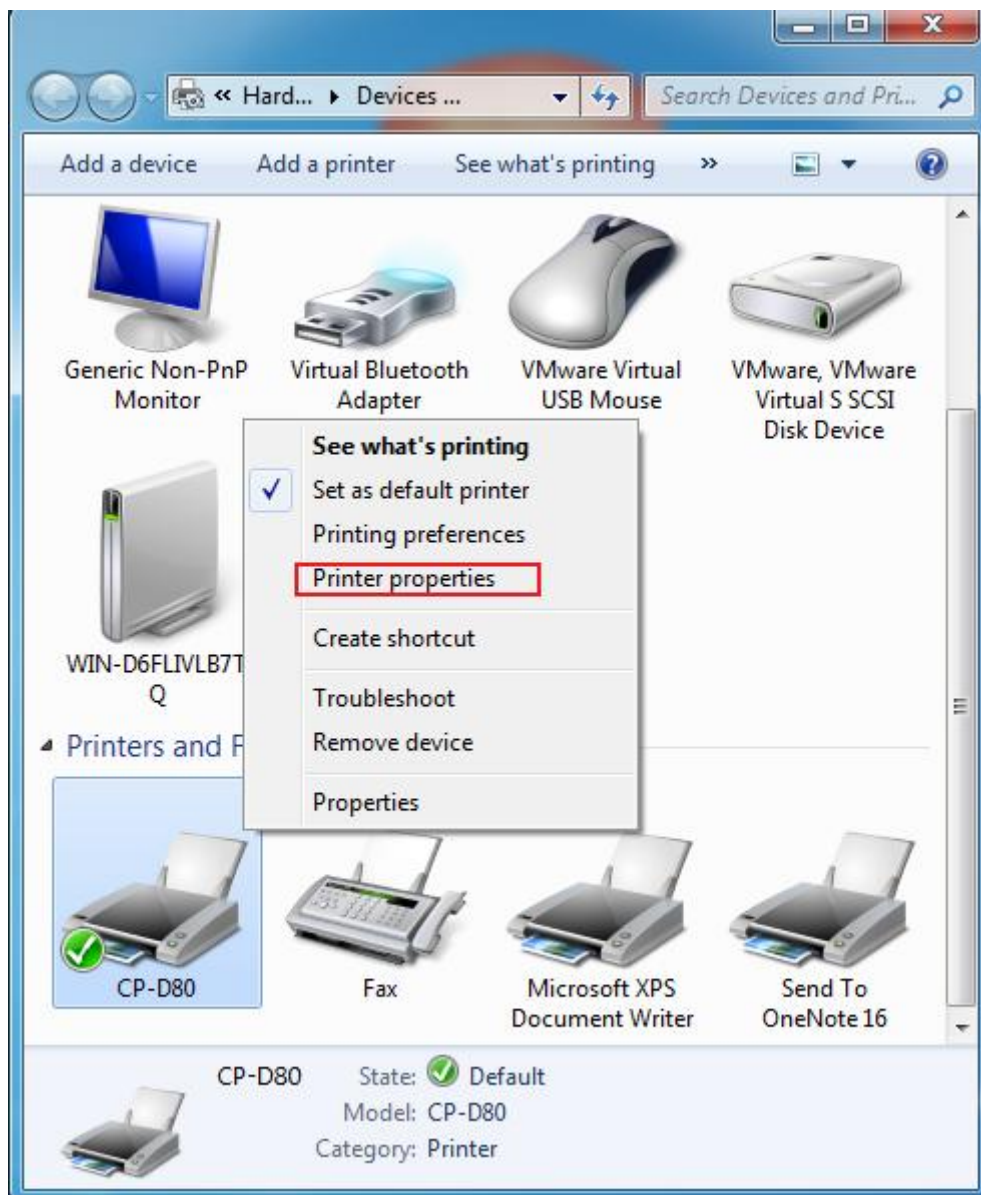


## 5.2 Connect the printer to PC driver (Ethernet)

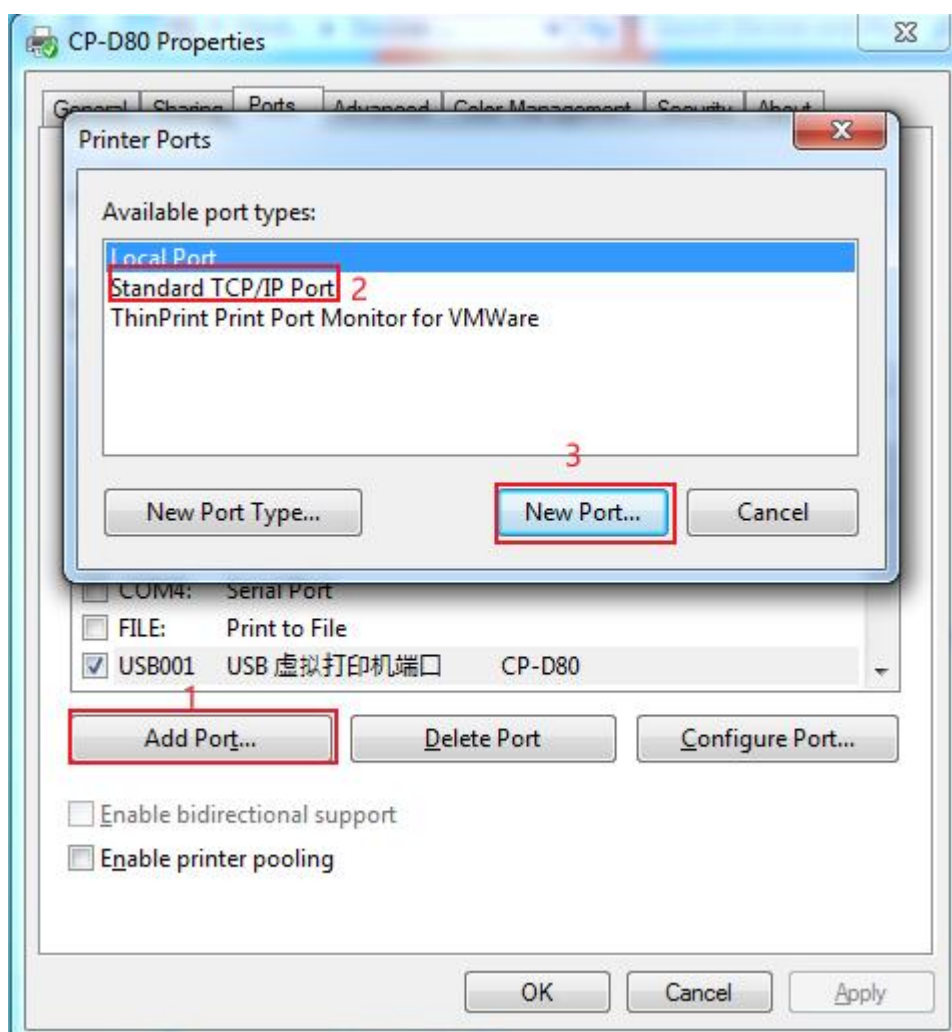


Note:

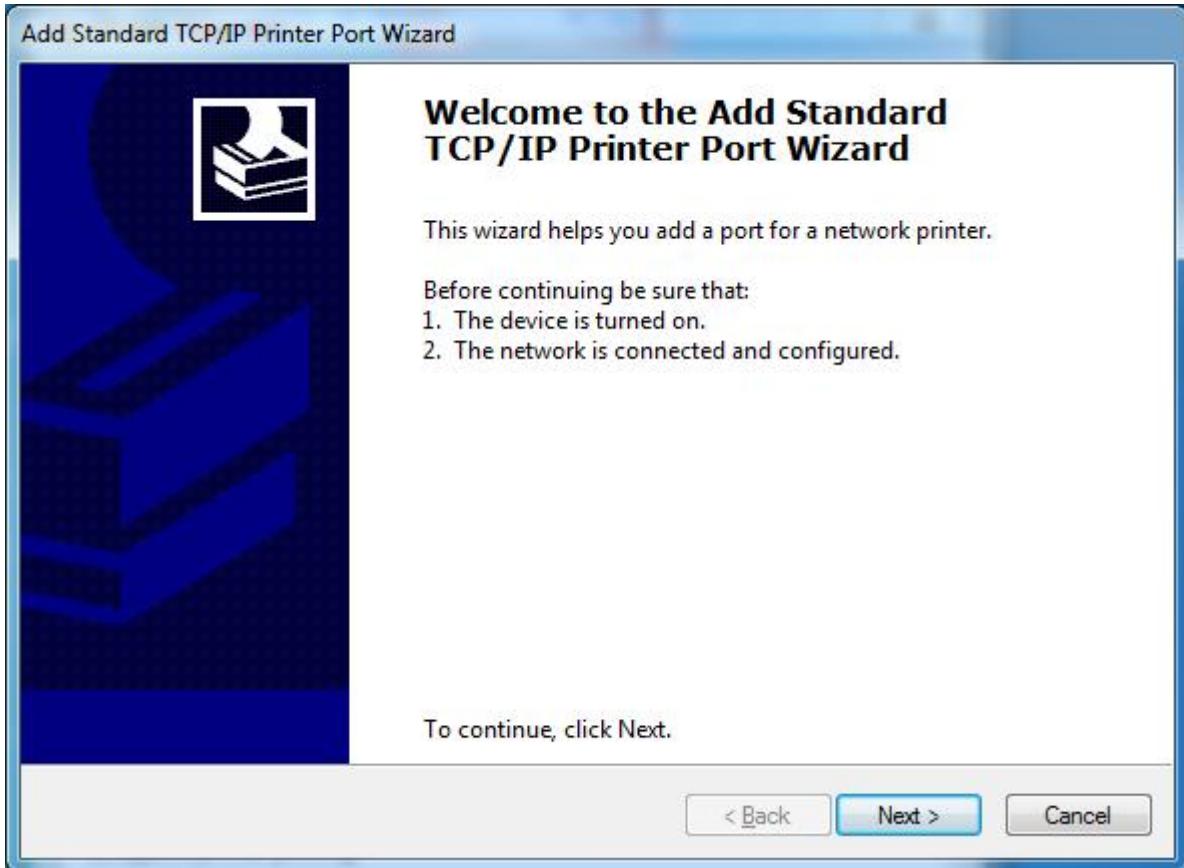
- Under different operating systems, the screen may be slightly different. Take Windows 7 as example.
  - Make sure the printer and PC are in the same LAN.
1. Query the IP address in the "Status-Ethernet" on the printer screen.
  2. Click "Start" → "Devices and Printers". Right click the icon and choose "Printer properties".



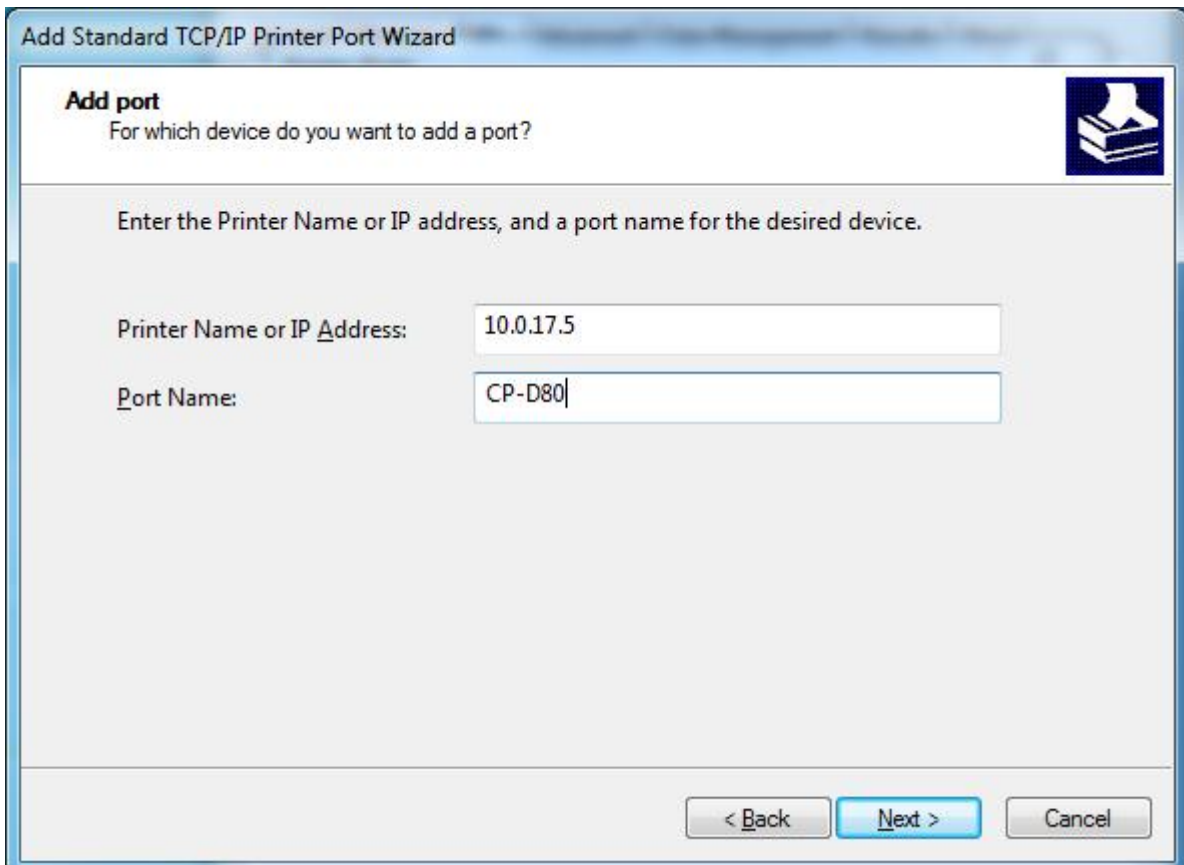
3. Select “Standard TCP/IP Port”, and then click “New port”.

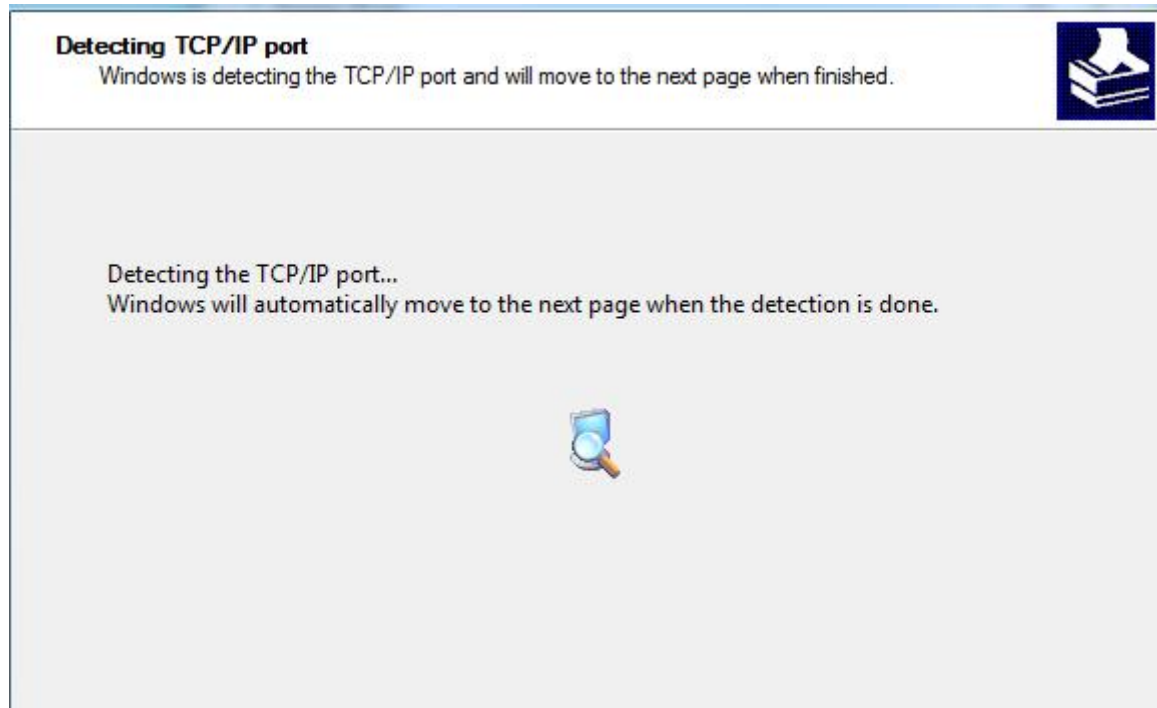


## 4. Click "Next".

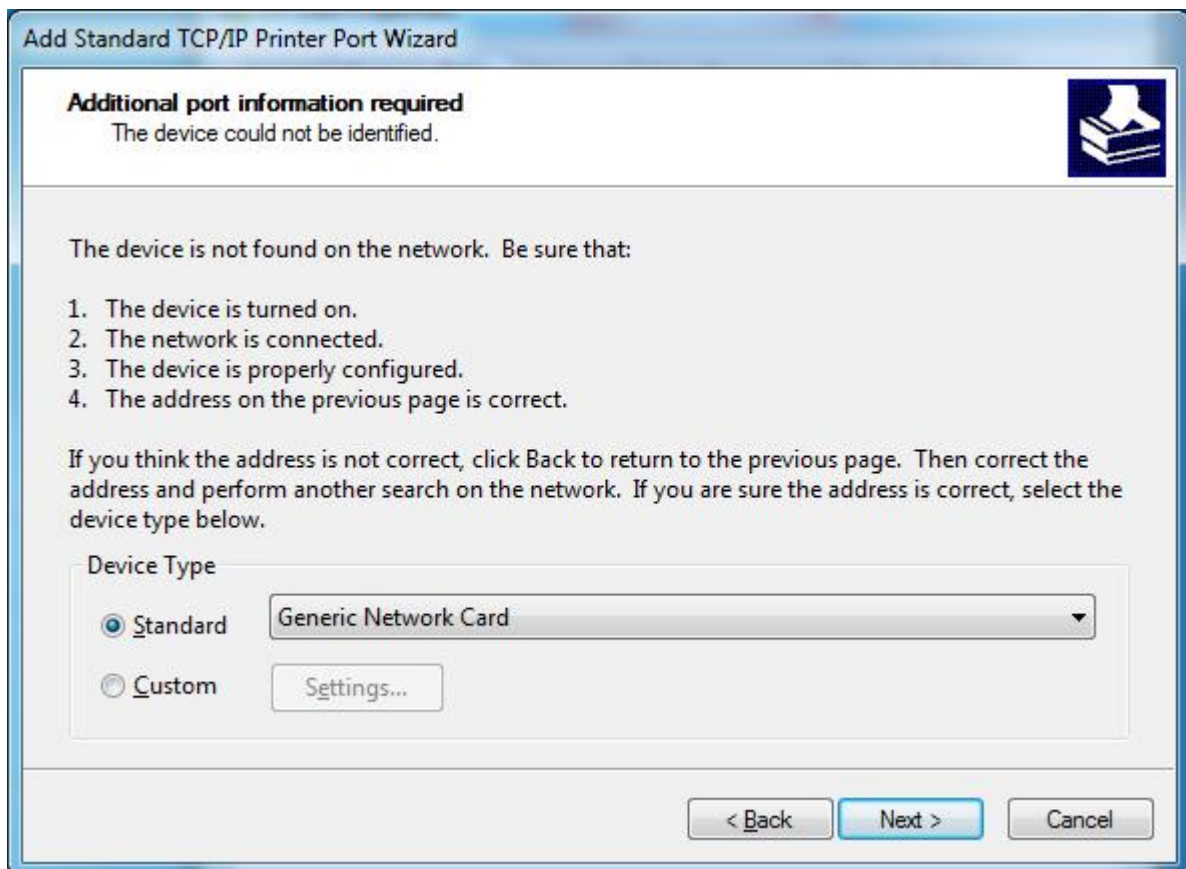


## 5. Enter the printer name or IP address and click "Next".



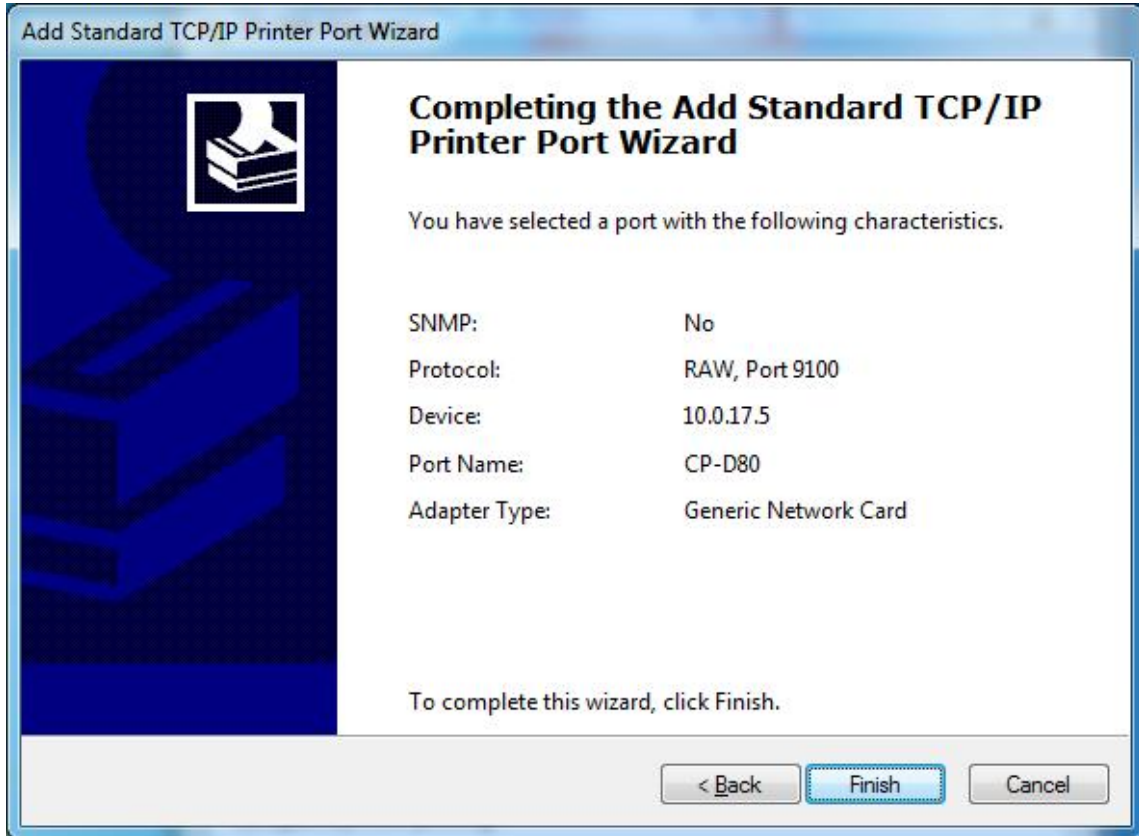


6. Click "Next".

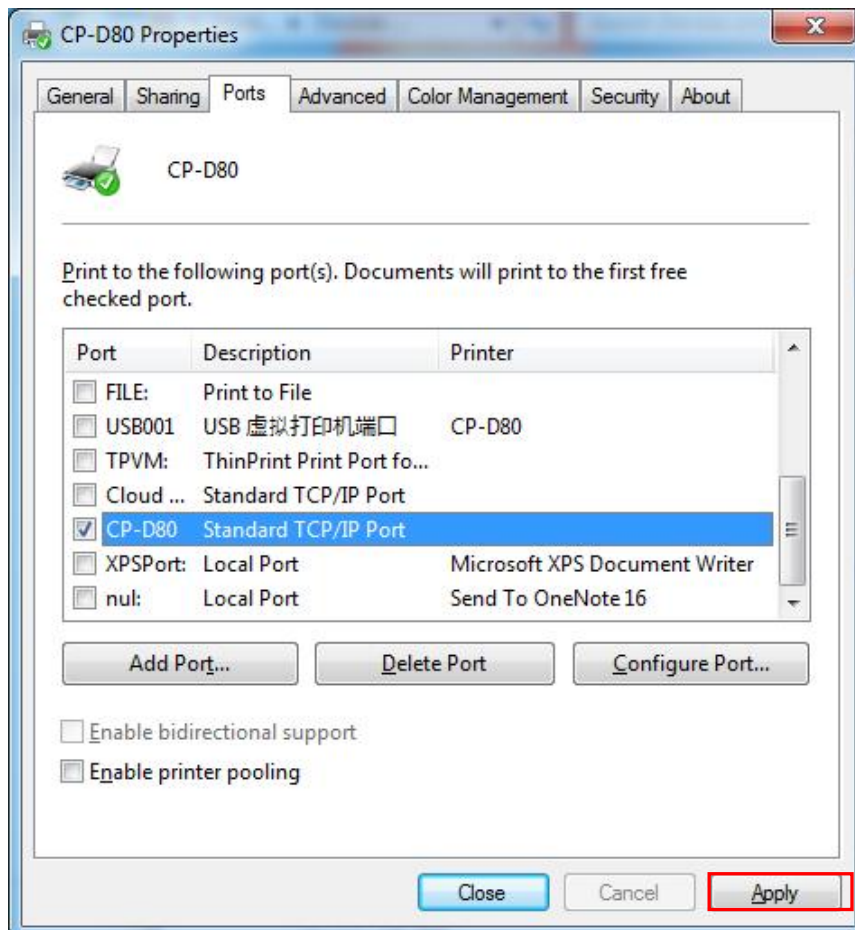




7. Click “Finish”.



8. Return to the port page, select the port you have added, and click “Apply”.



9. Click “General”, and select “Print test page” to test whether the printer is connected to the computer.

